

CASC

ISO/TS16949:2002



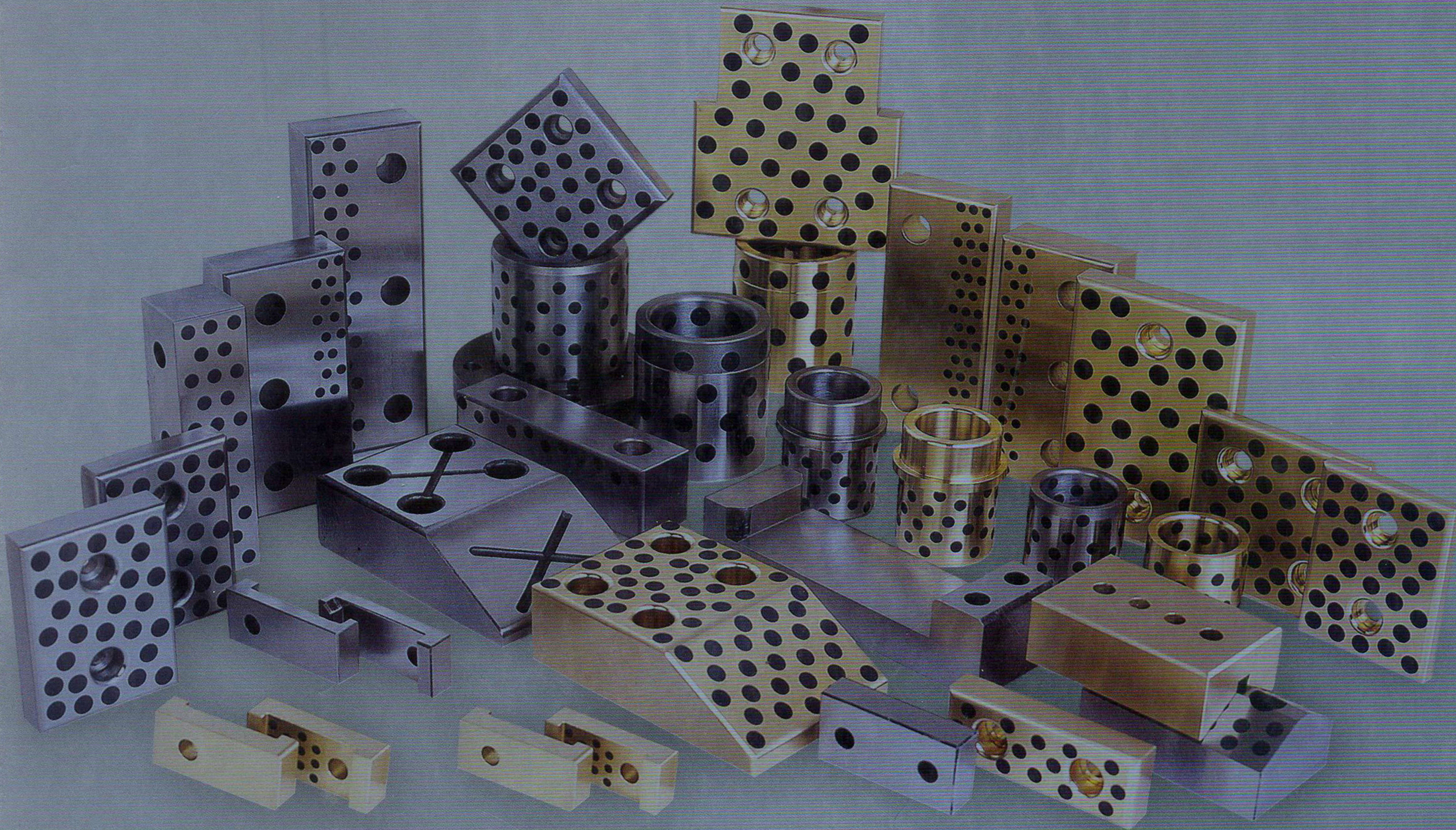
ISO14001

固体润滑轴承在模具行业中的应用

THE APPLICATION OF SOLID LUBRICATION BEARINGS IN MOLD&DIE

设计手册(四)

DESIGNER'S BOOK(No.4)



Workshop

Production
车间生产







我们严格按照ISO/TS16949质量体系,从原材料投入、模具制造、成形、烧结...等直到服务,全过程加以控制。操作工首先进行自检,专职检验人员进行巡回检,每道工序都进行严格把关,每道工序都做到有据可查。同时以先进的检测设备保证了产品100%的出厂合格率。



All processes, including input of raw material, mold design, shaping, sintering and after-sale service, are strictly controlled in accordance with the ISO/TS16949 quality system. Self-inspecting by the operating workers, circuit-inspecting by the professional technicians, the strict check in every process together with the advanced checking equipment ensure the eligibility ratio.



P37



P37

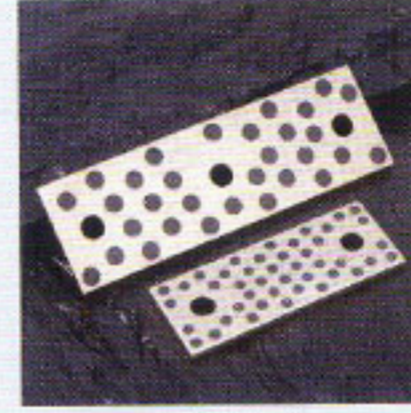


P38

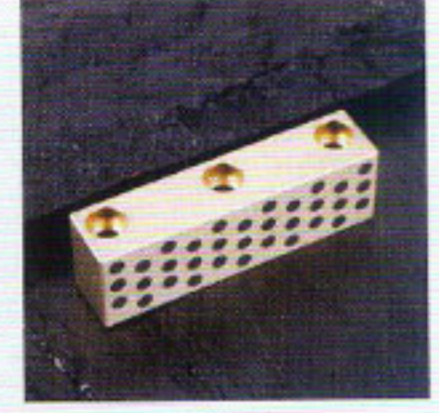
注塑模具
INJECTION MOLD



P40



P41



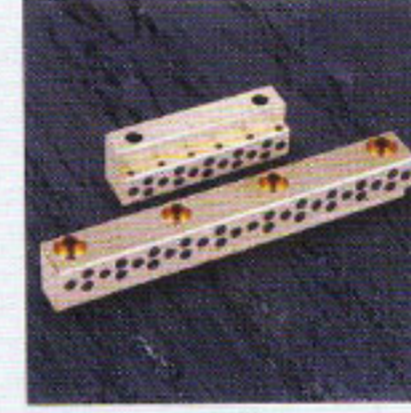
P42



P43



P44



P45



P46



P47



P48



P49



P50



P51



P52

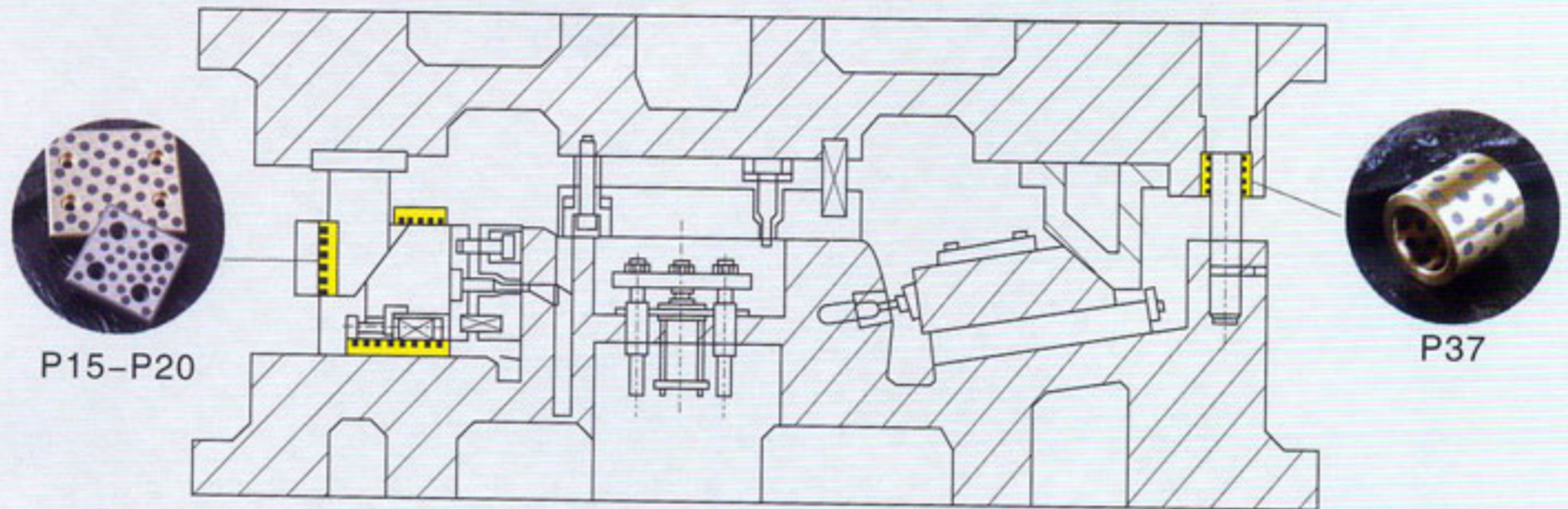


P53、P54

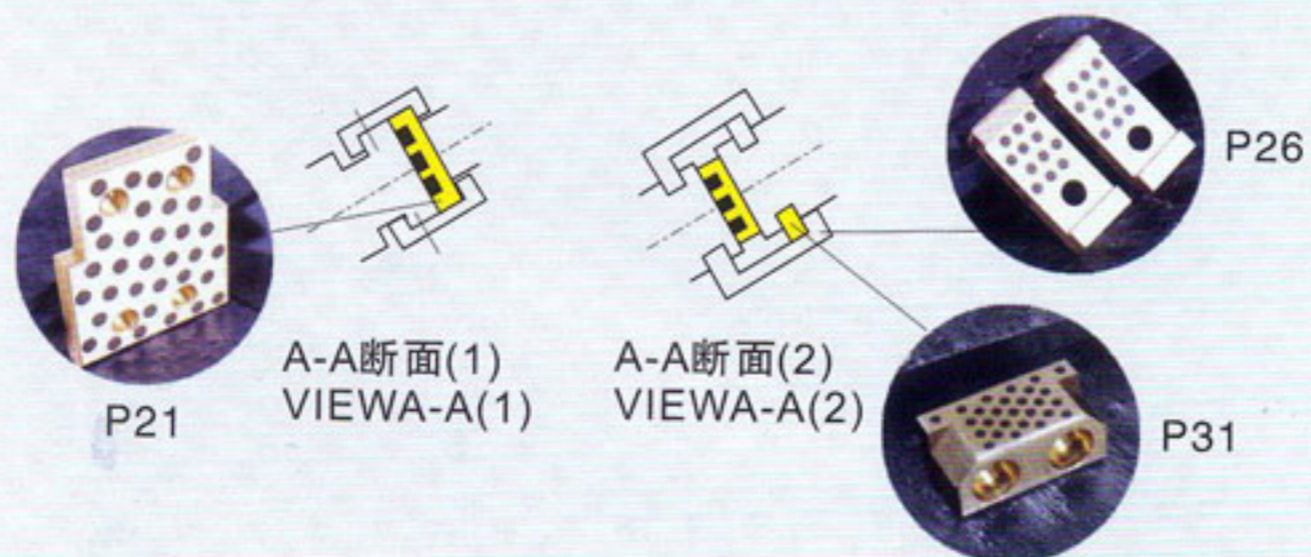
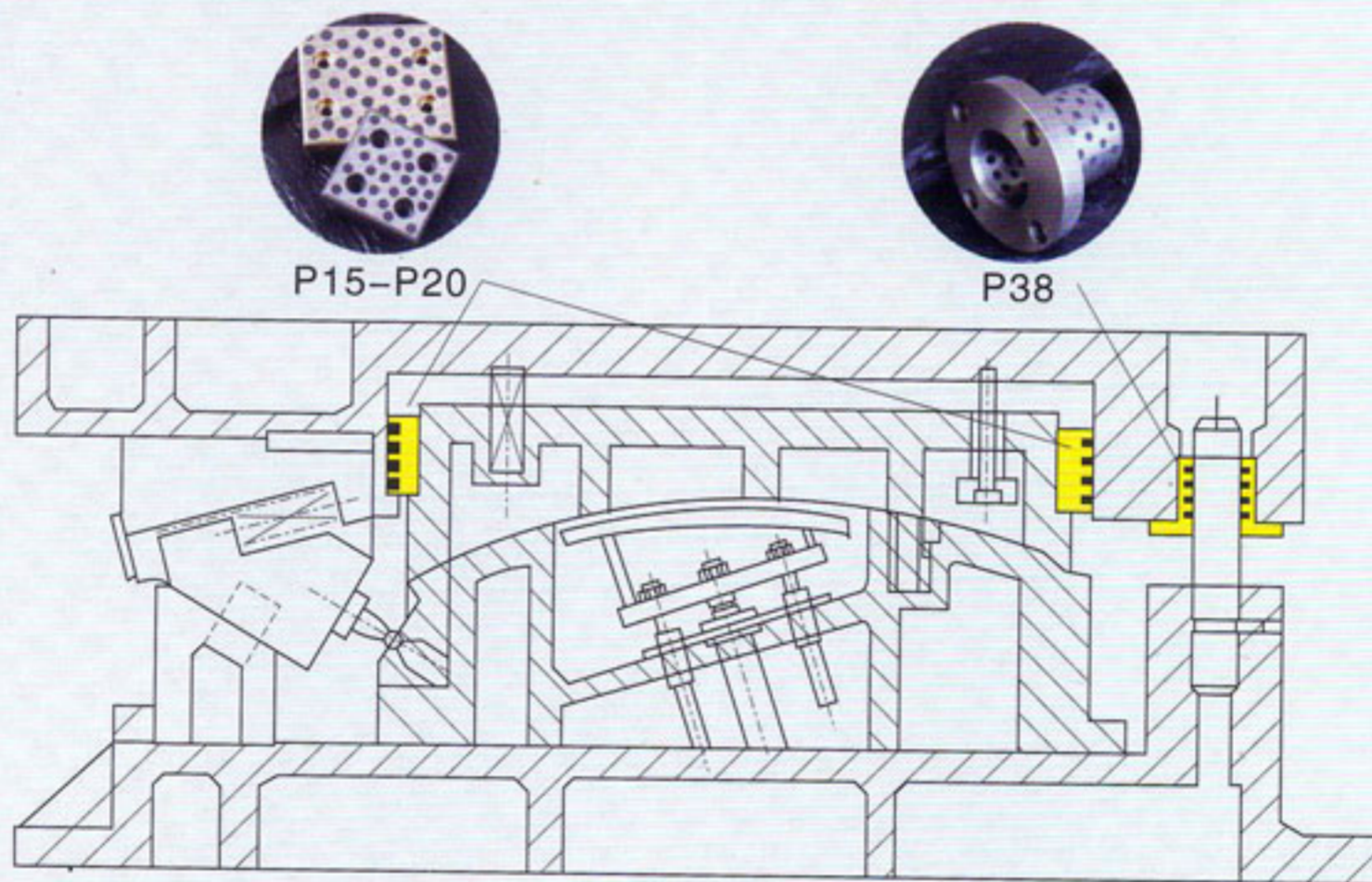


P55、P56

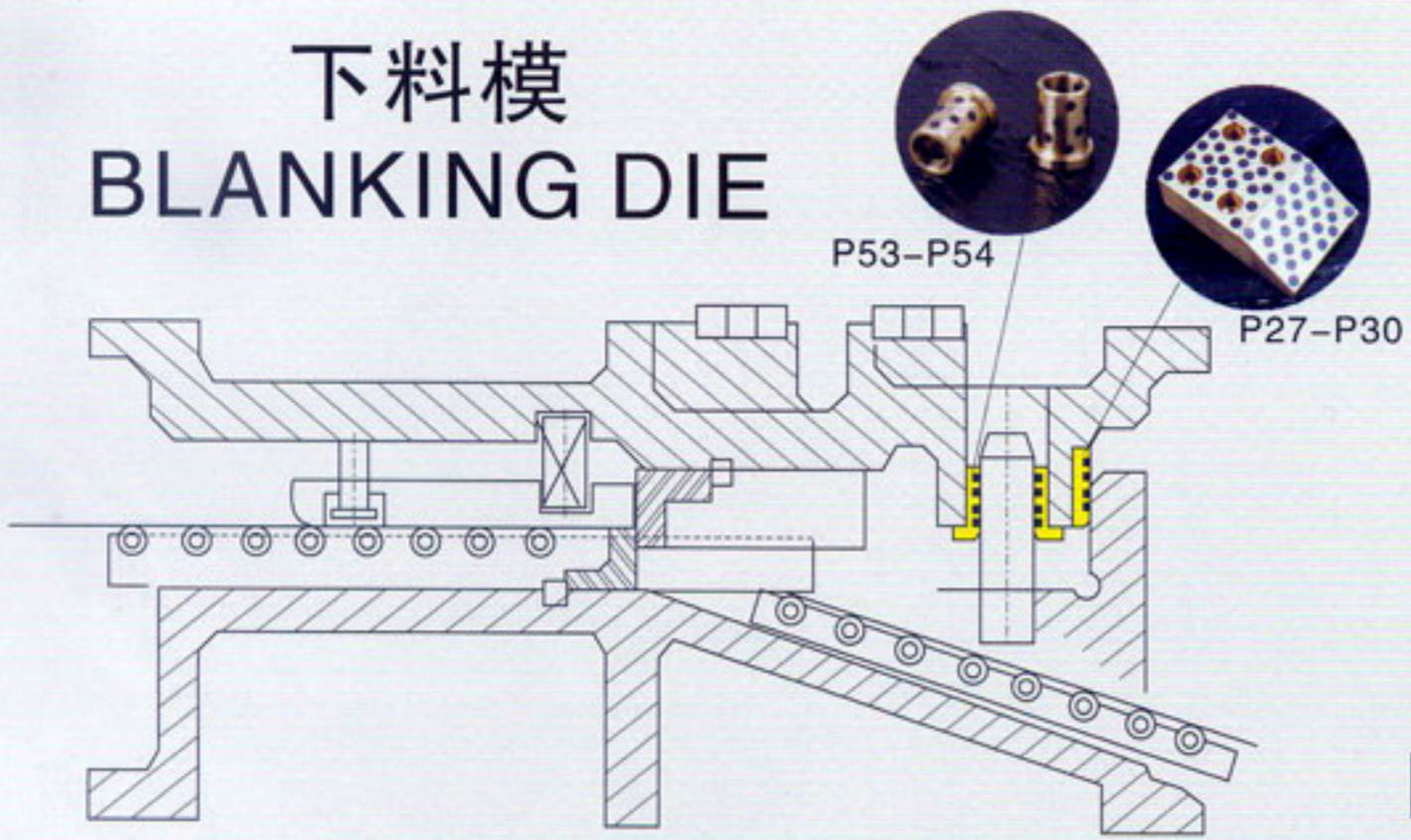
穿孔斜楔冲孔模 PIERCED CAM PIERCED DIE



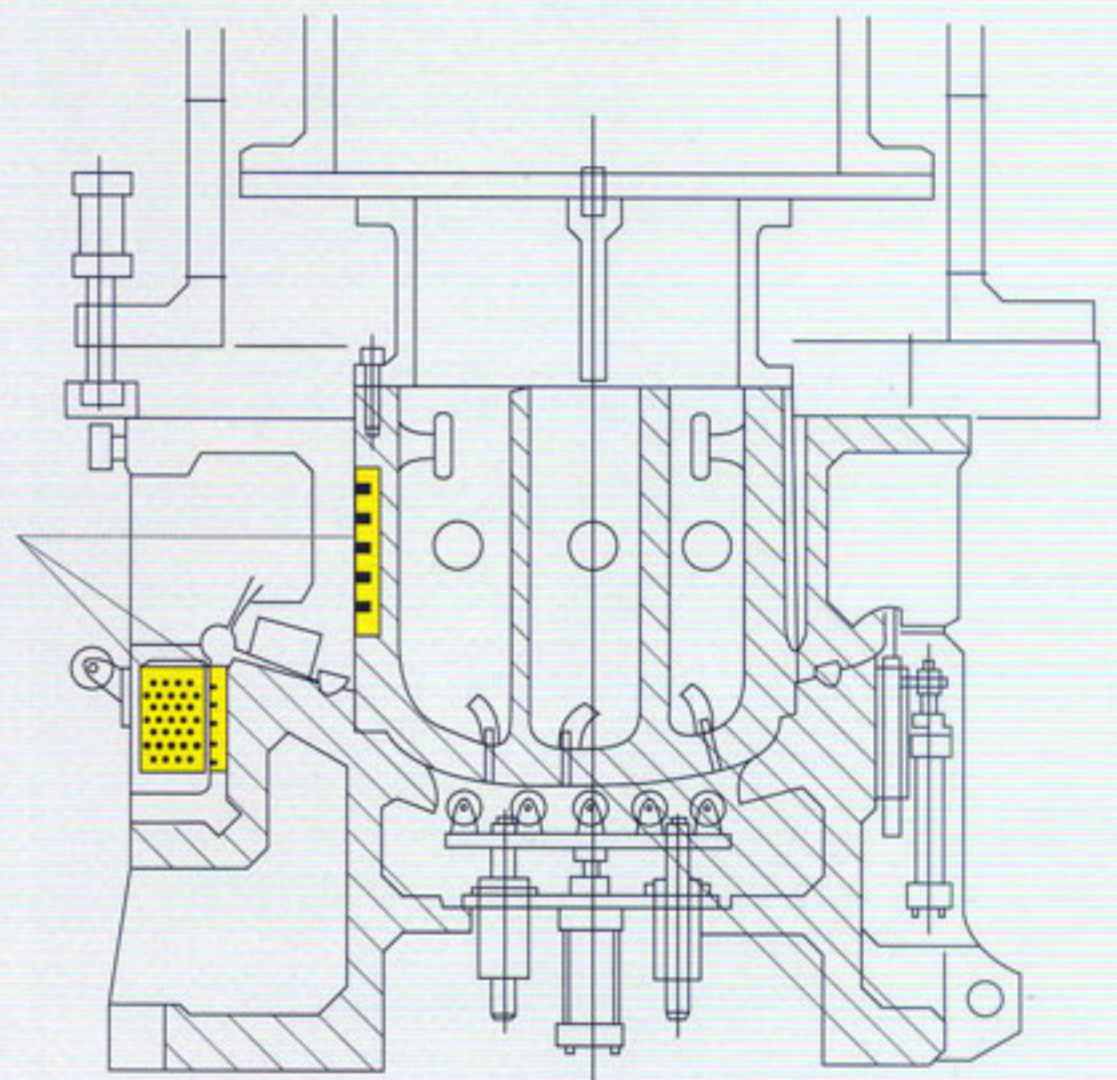
悬吊式斜楔冲孔模 FLYING CAM PIERCED DIE



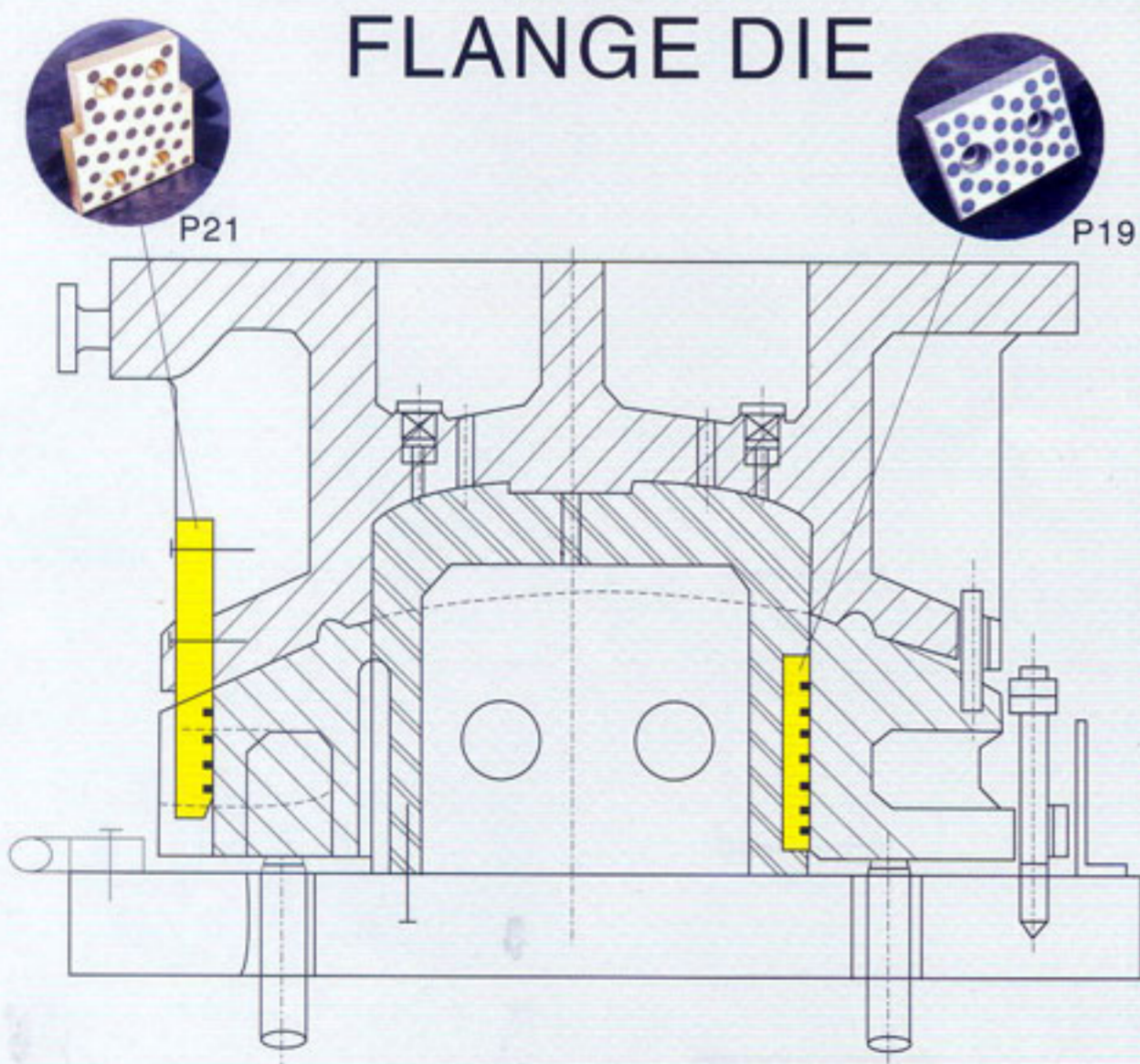
下料模 BLANKING DIE

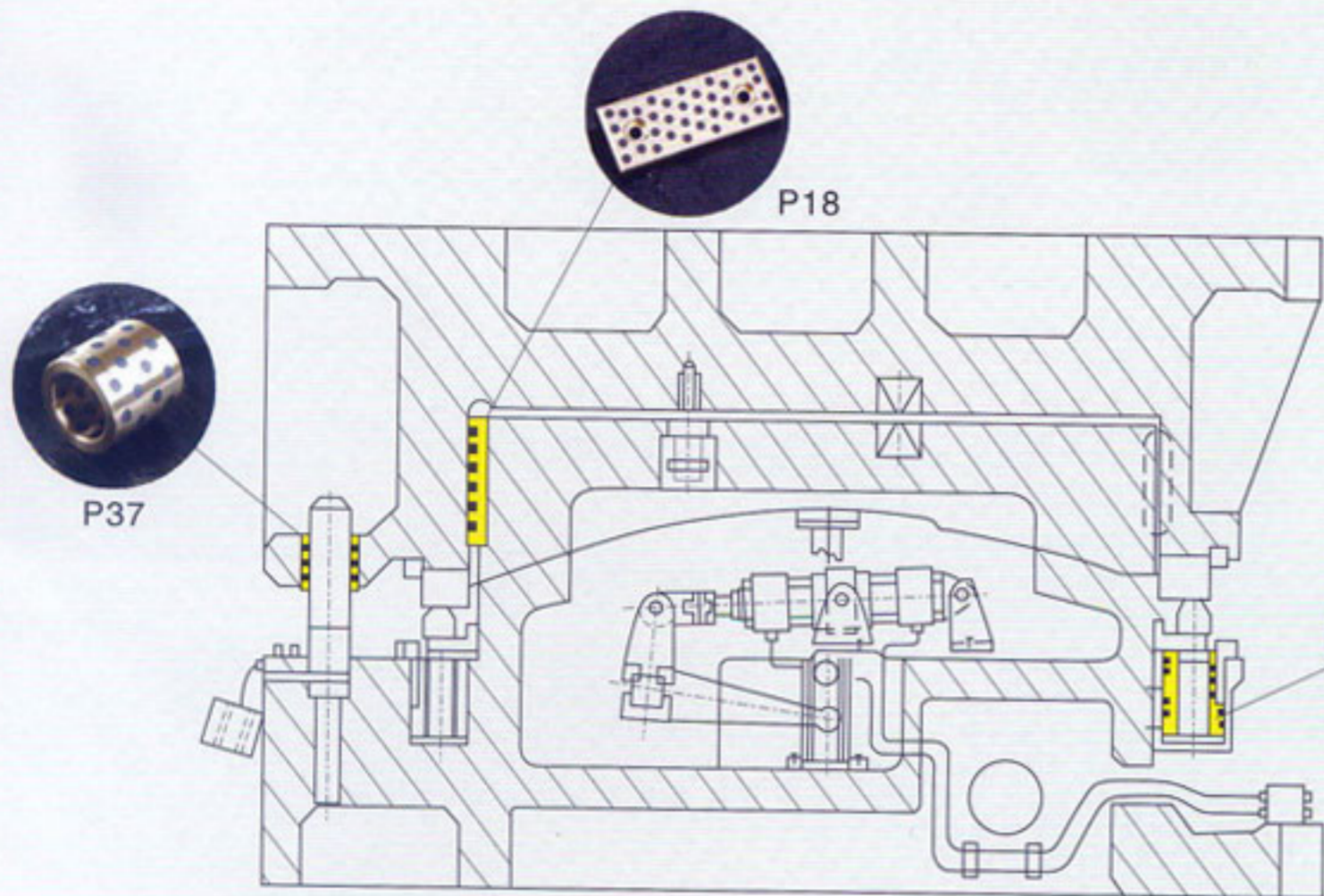


拉伸模 DRAWING DIE

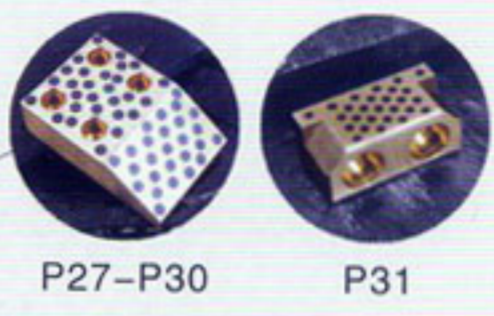


增边模 FLANGE DIE

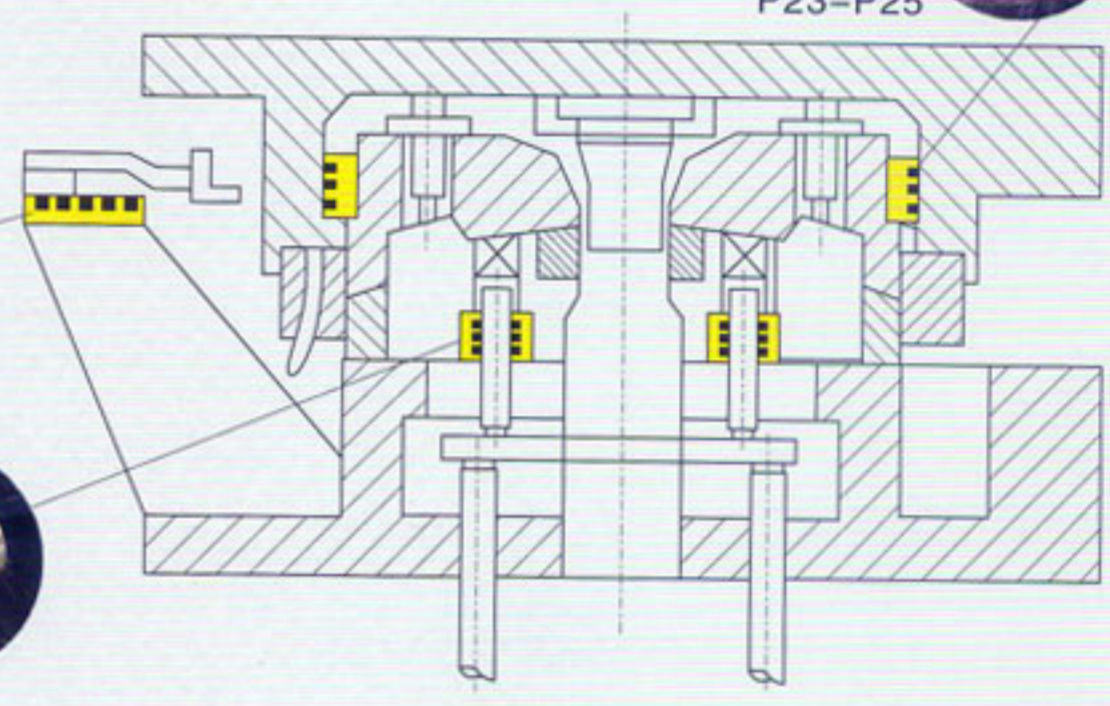




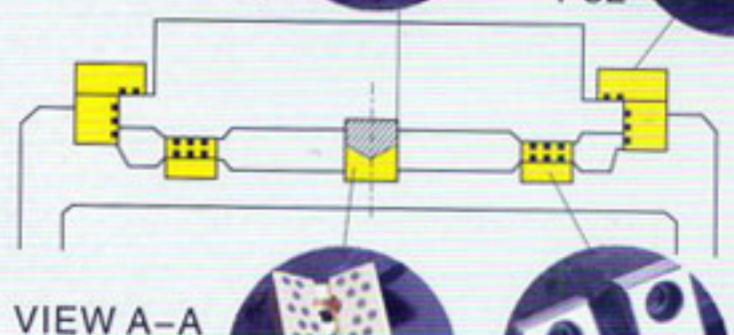
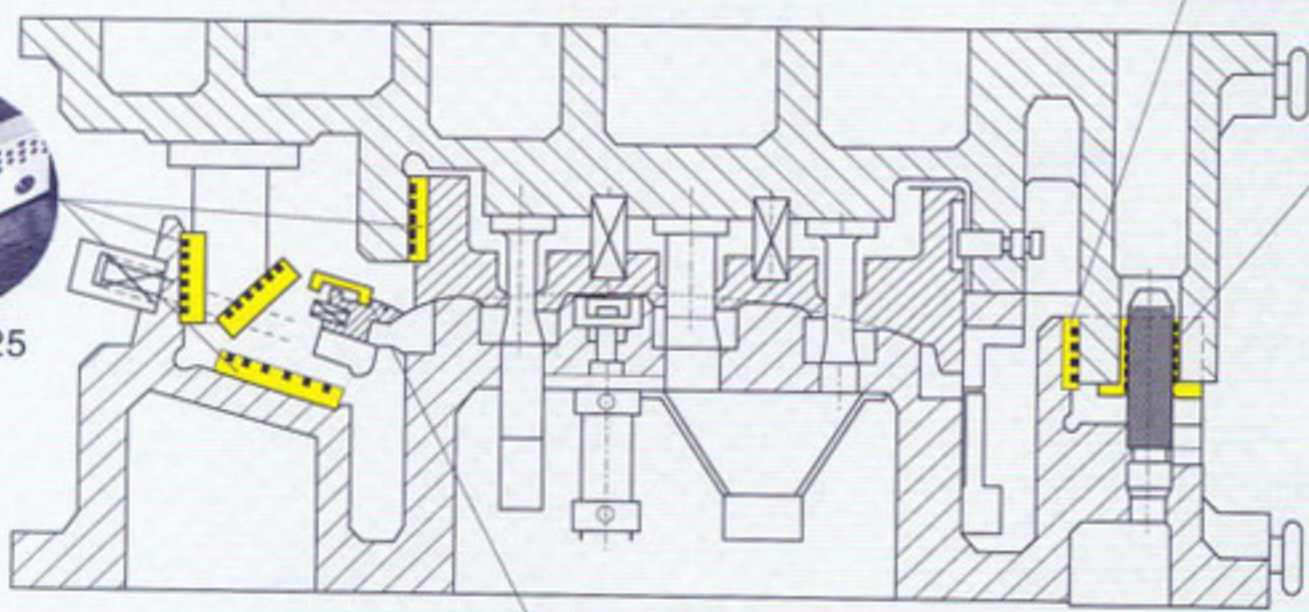
增边模 FLANGE DIE



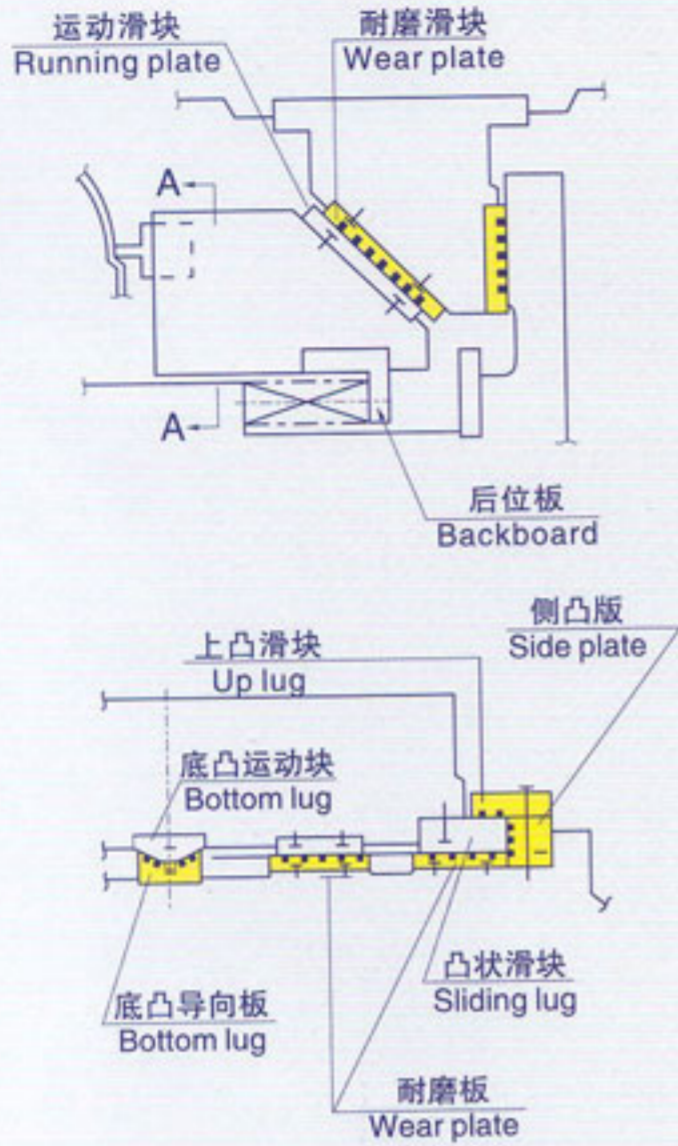
去除材料冲孔模 TRIM PIERCED DIE



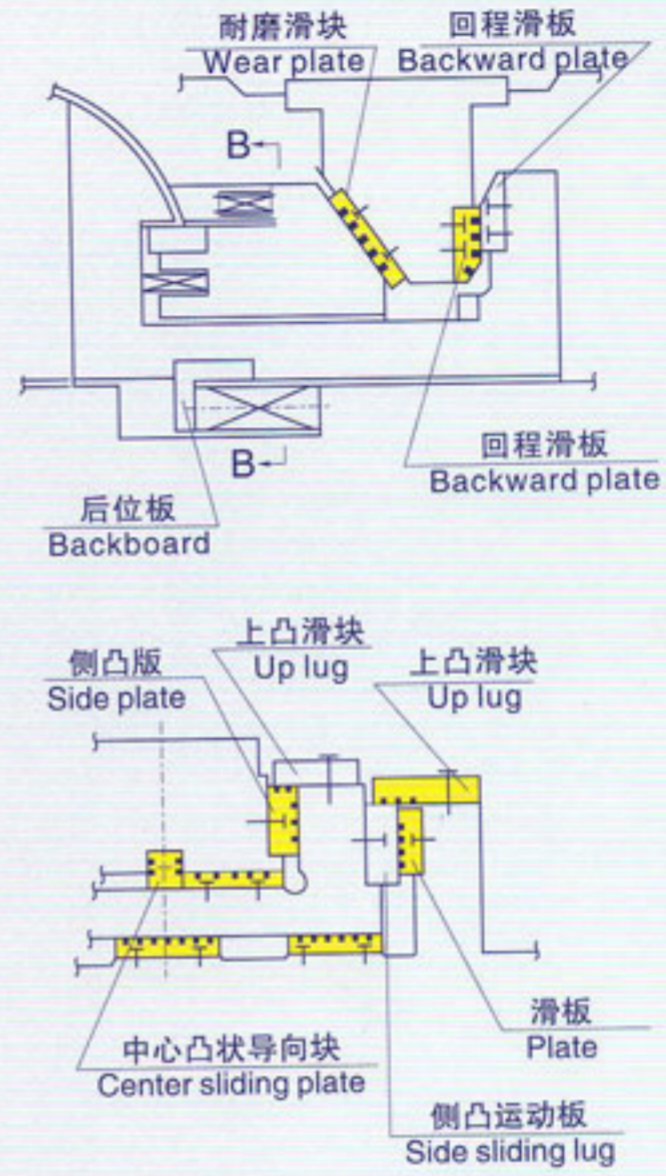
斜楔切割模 CAM CUR DIE



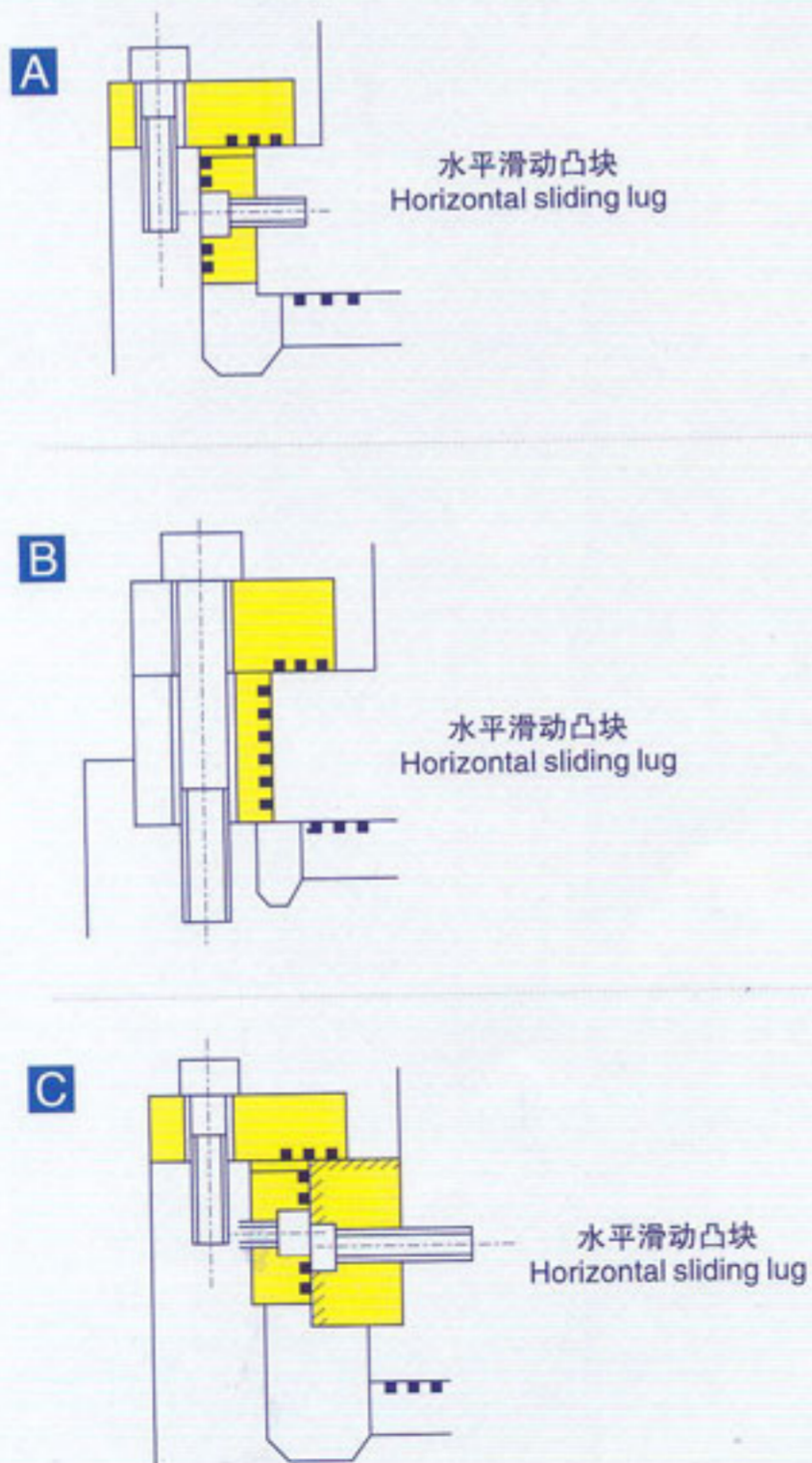
单凸型 SINGLE CAM DIE



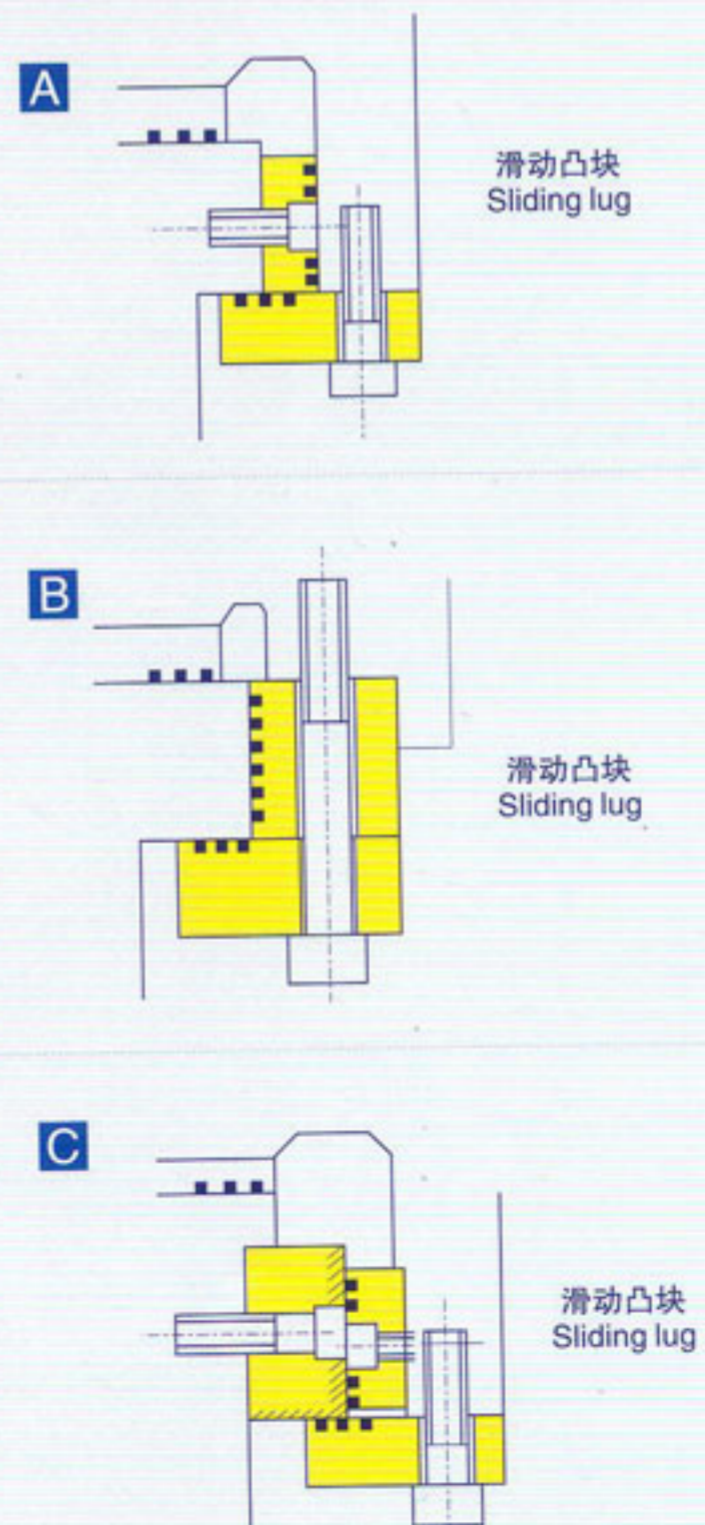
双凸型 DOUBLE CAM DIE

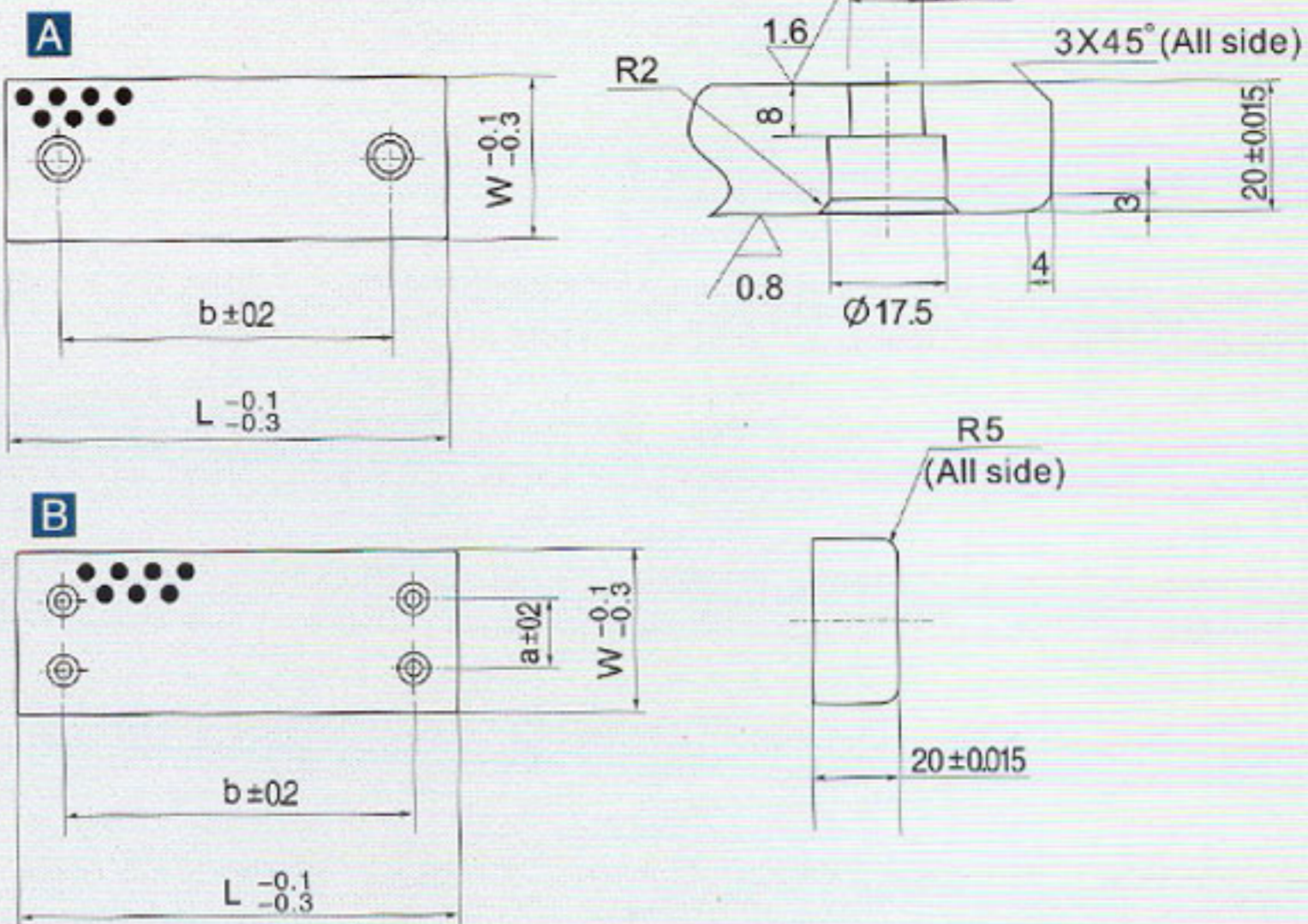
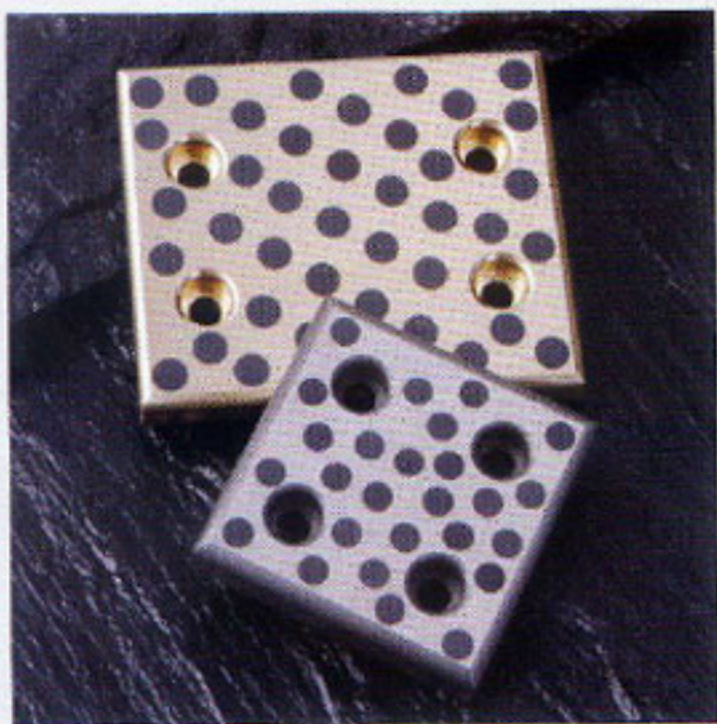


水平凸型 CAM UNIT HORIZONTAL



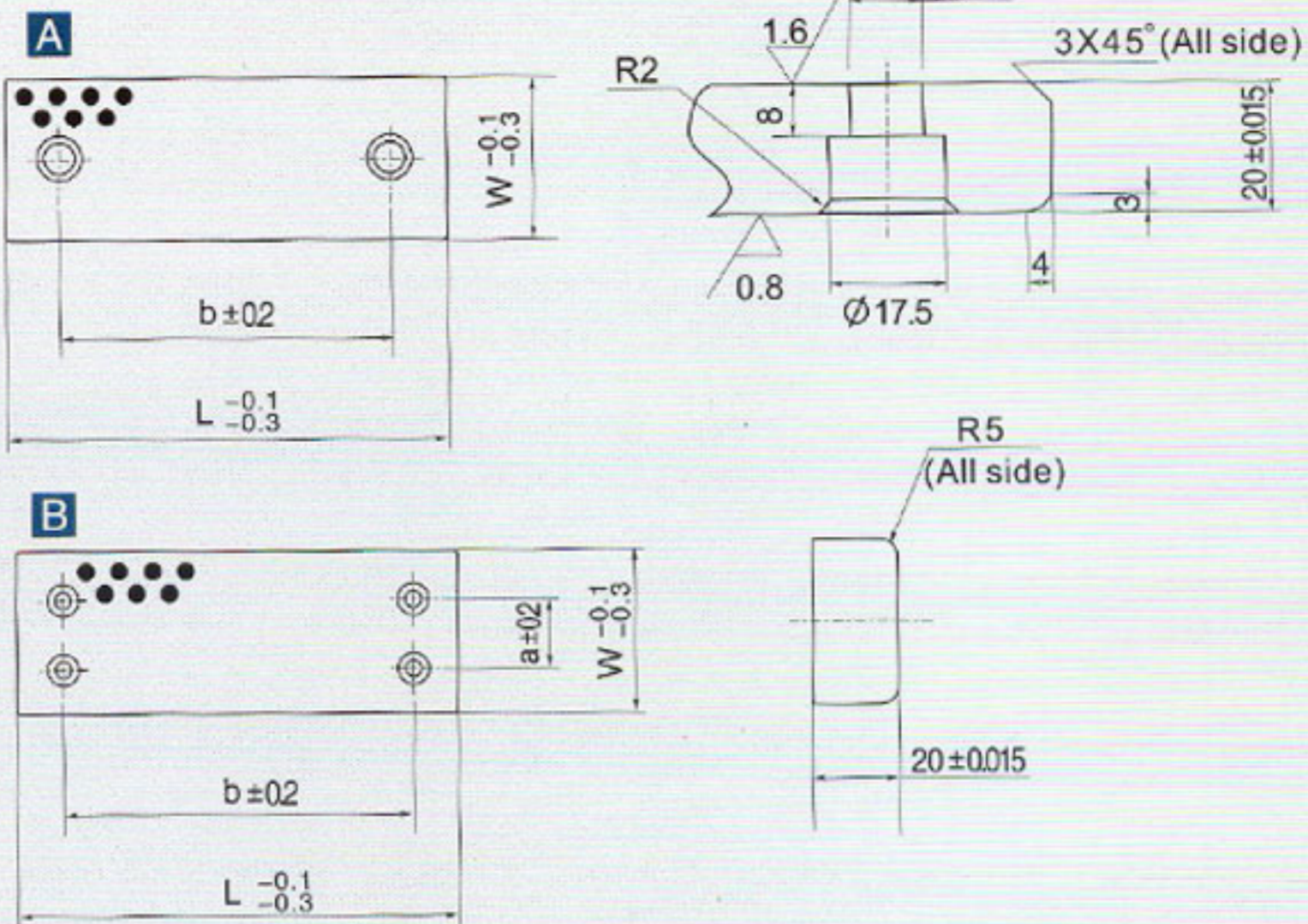
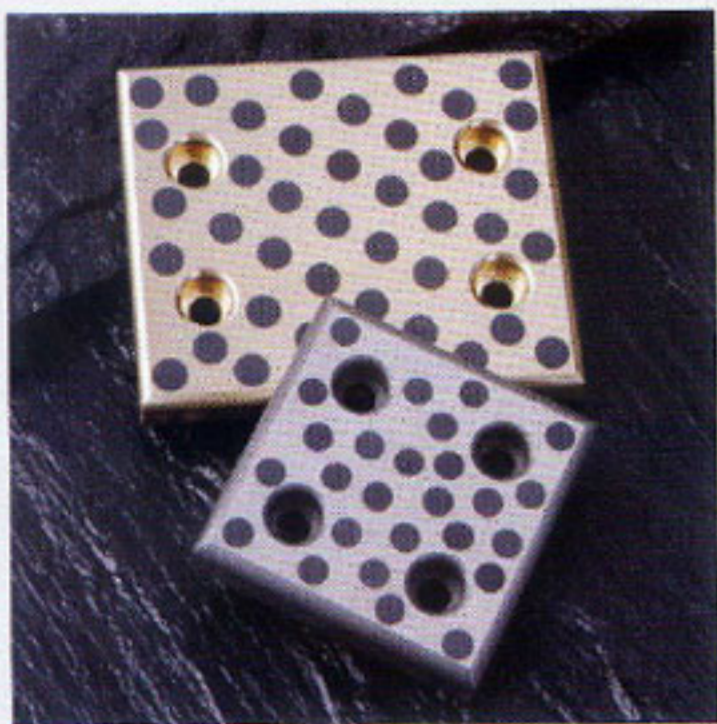
上挂凸型 CAM UNIT FLYING





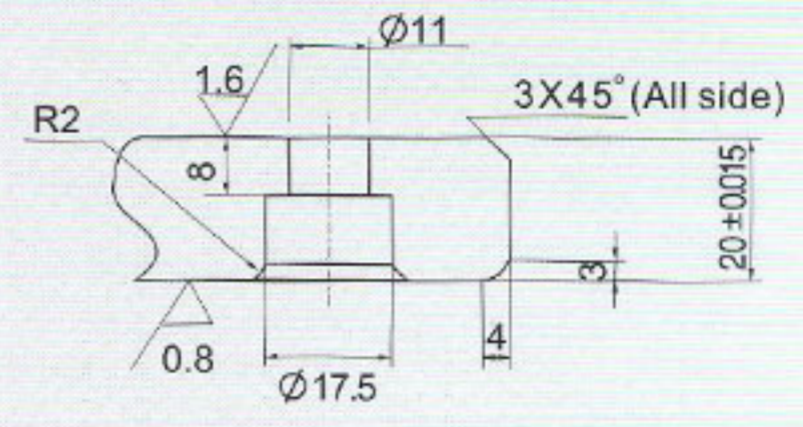
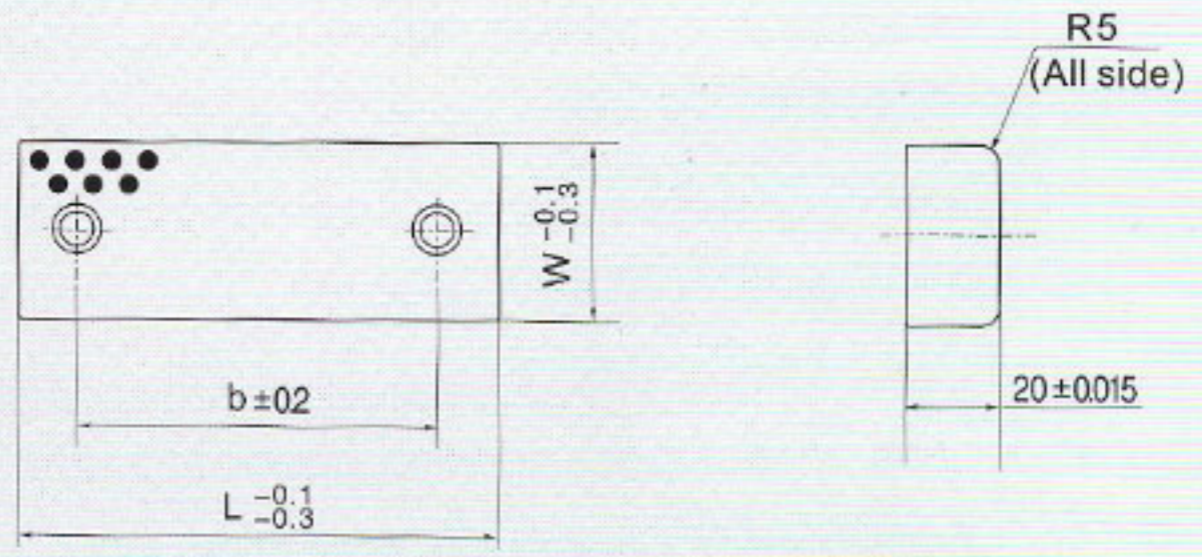
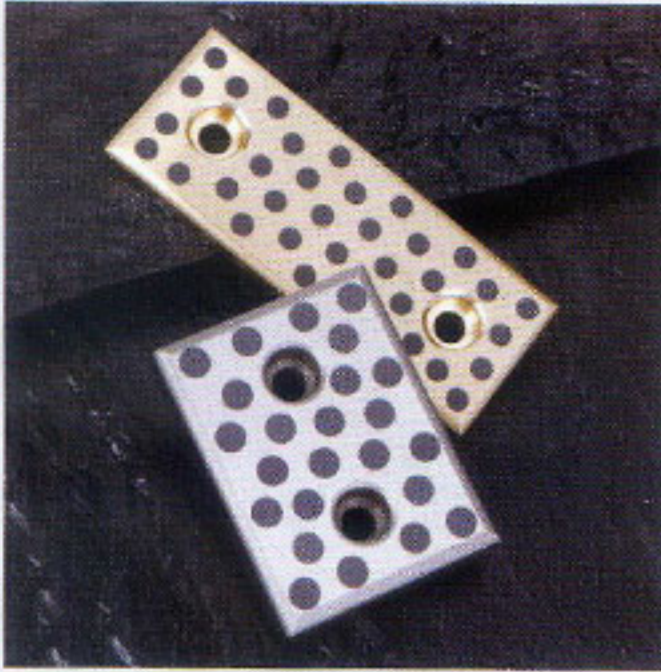
型号 TYPE	W	L	a	b	尺寸图 SKETCH	识别码 MARK	
JSP-1 JSP-4	28	75	—	45	A	BA	
		100		50			
		125		75			
		150		100			
		200		150			
	38	75	—	45			
		100		50			
		125		75			
		150		100			
		200		150			
	48	75	—	45			
		100		50			
		125		75			
		150		100			
		200		150			
	58	75	—	45			
		100		50			
		150		100			
	75	75	—	25			B
		100		50			
		125		75			
		150		100			
		200		150			
	100	100	50	50			
125		75					
150		100					
200		150					
250		200					
125	125	50	75				
	150		100				
	200		150				
	250		200				
150	150	100	100				
	200		150				
	250		200				
	300		250				
200	200	150	150				
	250		200				
	300		250				

订货方法: PURCHASE NO:	型号 TYPE JSP-1	WXLX20 100x100x20	识别码 MARK BA
-----------------------	------------------	----------------------	----------------



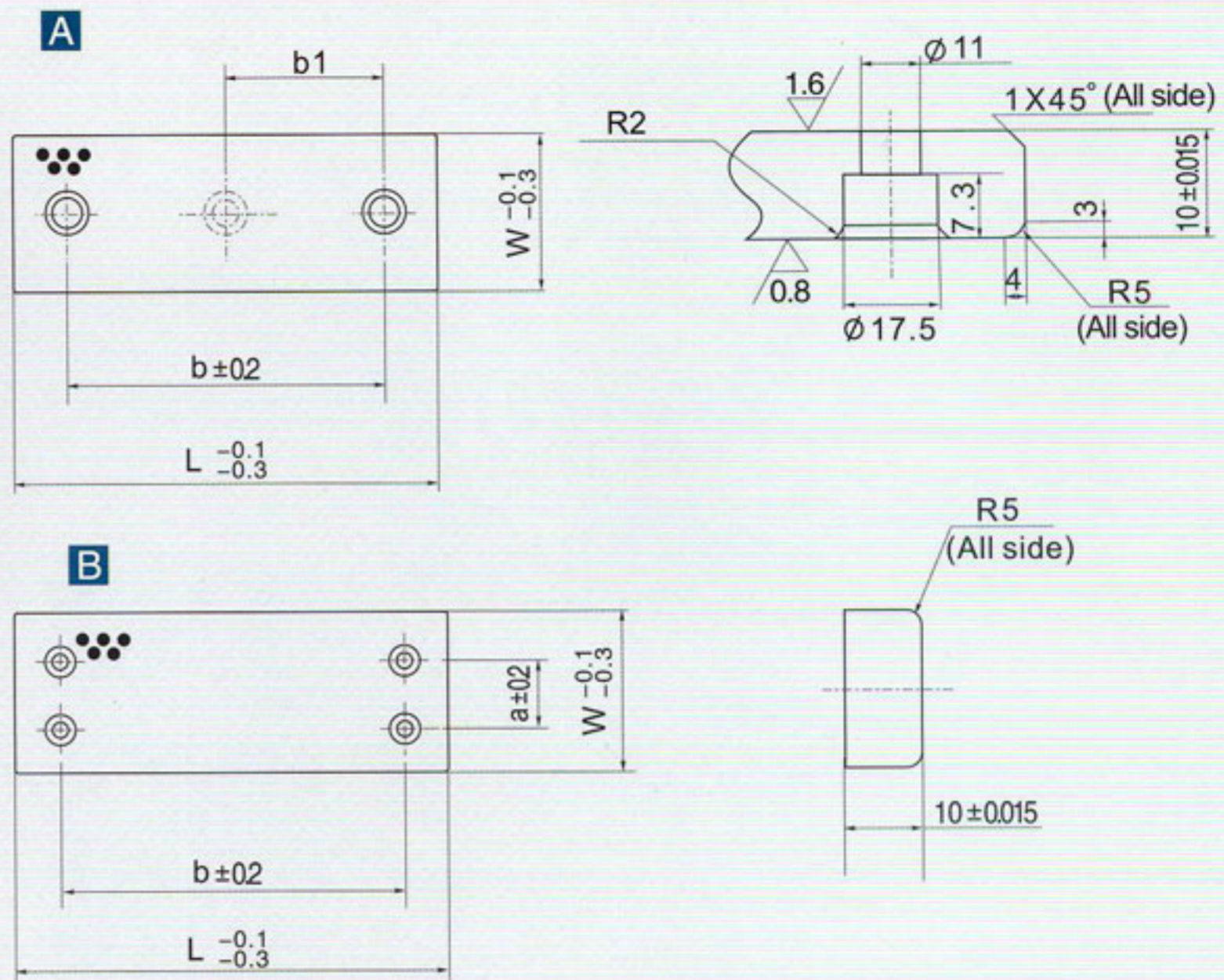
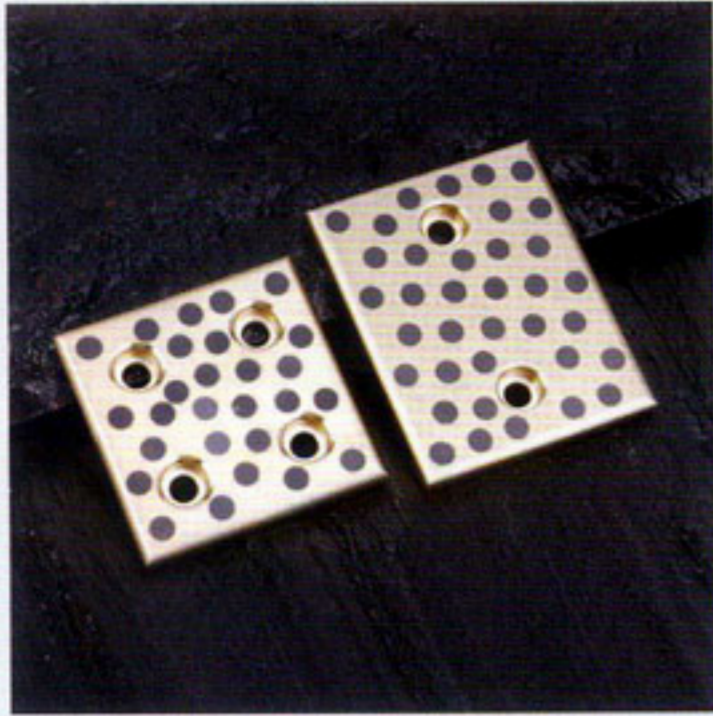
型号 TYPE	W	L	a	b	尺寸图 SKETCH	识别码 MARK	
JSP-1 JSP-4	28	75	—	45	A	BA	
		100		50			
		125		75			
		150		100			
		200		150			
	38	75	—	45			
		100		50			
		125		75			
		150		100			
		200		150			
	48	75	—	45			
		100		50			
		125		75			
		150		100			
		200		150			
	58	75	—	45			
		100		50			
		150		100			
	75	75	—	25			B
		100		50			
		125		75			
		150		100			
		200		150			
	100	100	50	50			
125		75					
150		100					
200		150					
250		200					
125	125	50	75				
	150		100				
	200		150				
	250		200				
150	150	100	100				
	200		150				
	250		200				
	300		250				
200	200	150	150				
	250		200				
	300		250				

订货方法: PURCHASE NO:	型号 TYPE JSP-1	WXLX20 100x100x20	识别码 MARK BA
-----------------------	------------------	----------------------	----------------



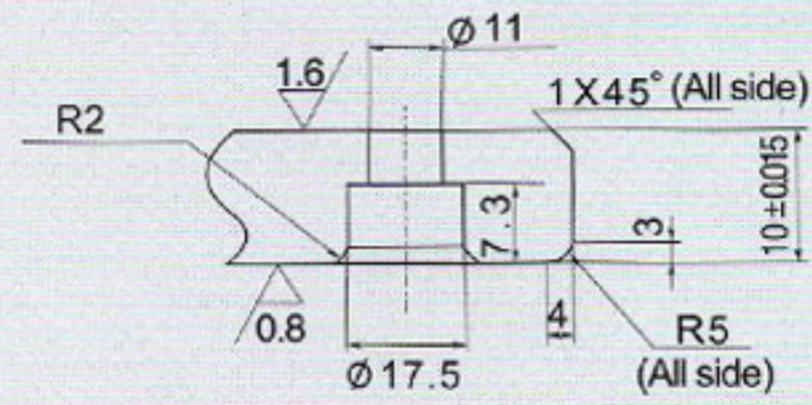
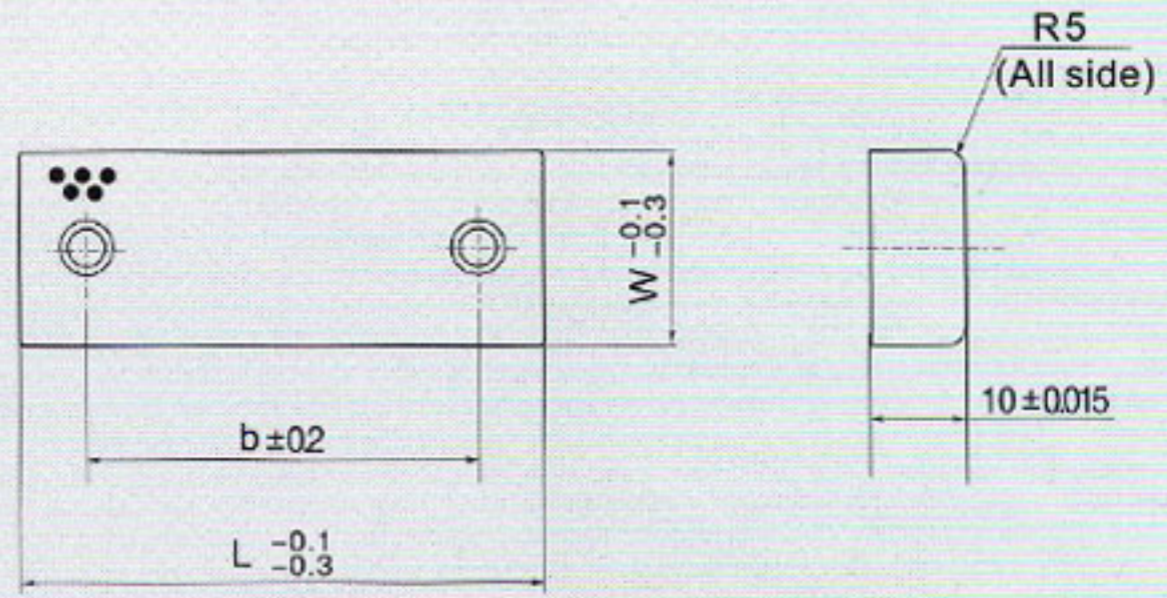
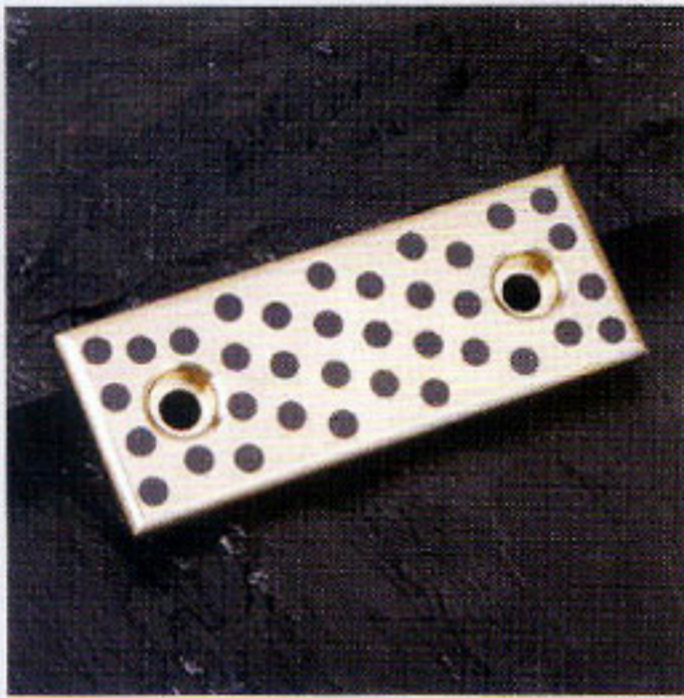
型号 TYPE	W	L	b	识别码 MARK
JSP-1 JSP-4	100	100	50	BB
		125	75	
		150	100	
		200	150	
		250	200	
	125	125	75	
		150	100	
		200	150	
		250	200	
	150	150	100	
		200	150	
		250	200	
300		250		

订货方法: PURCHASE NO:	型号 TYPE	WXLX20	识别码 MARK
	JSP-1	100 × 100 × 20	BB



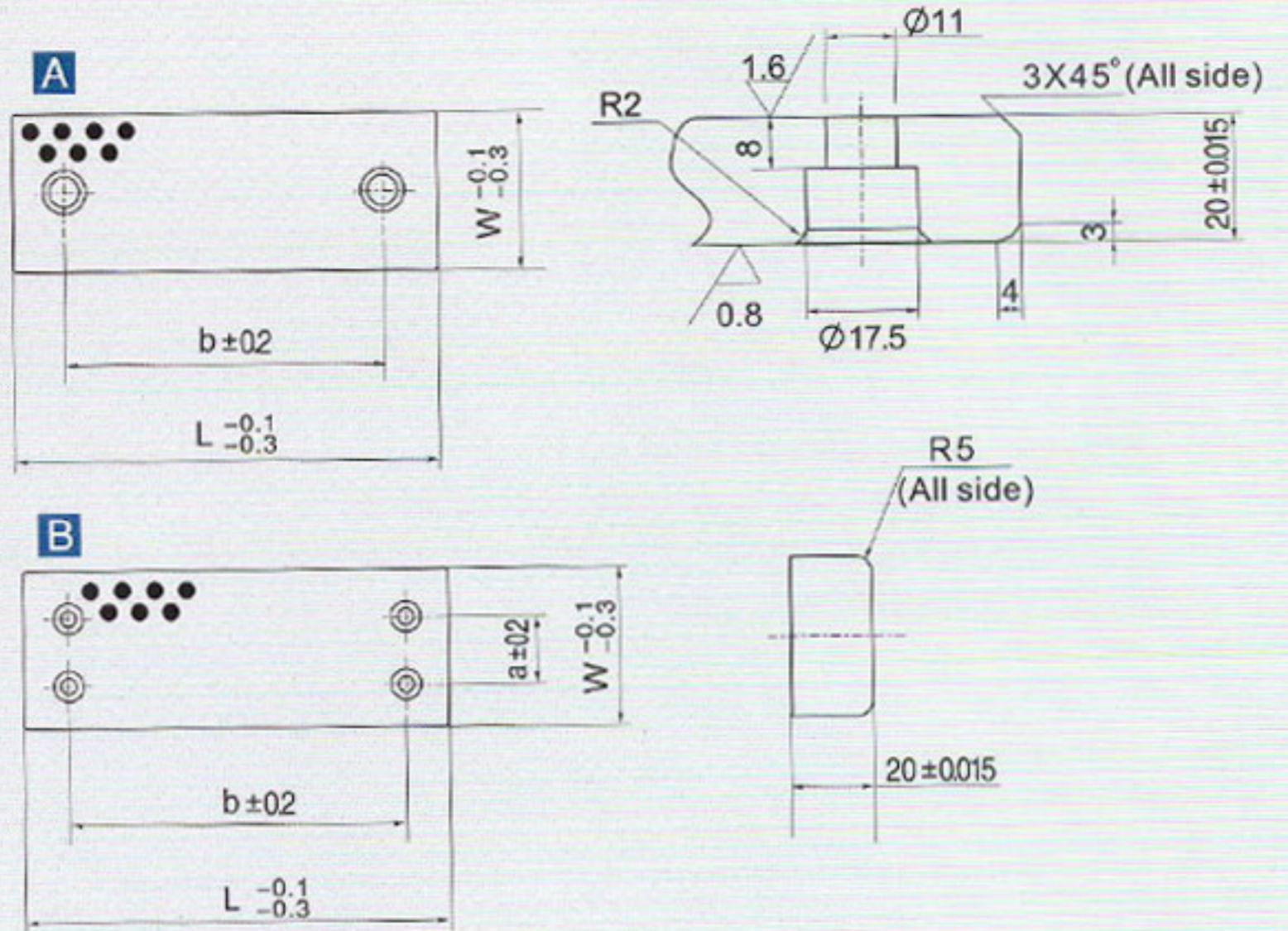
型号 TYPE	W	L	a	b	b1	尺寸图 SKETCH	识别码 MARK
JSP-1	28	75	—	45	—	A	BD
		100		50	—		
		125		75	—		
		150		100	—		
	38	75	—	45	—		
		100		50	—		
		125		75	—		
	48	150	—	100	—		
		200		150	—		
		58		75	—		
				100		50	—
	75	150	—	100	—		
		200		150	75		
		100		75	50	25	—
				100		50	—
				125		75	—
	125	150	50	100	—		
		200		150	—		
		250		200	—		
		250		200	—		
150	150	100	100	—			
	200		150	—			
						B	

订货方法: PURCHASE NO:	型号 TYPE JSP-1	WXLX10 28x75x10	识别码 MARK BD
-----------------------	------------------	--------------------	----------------



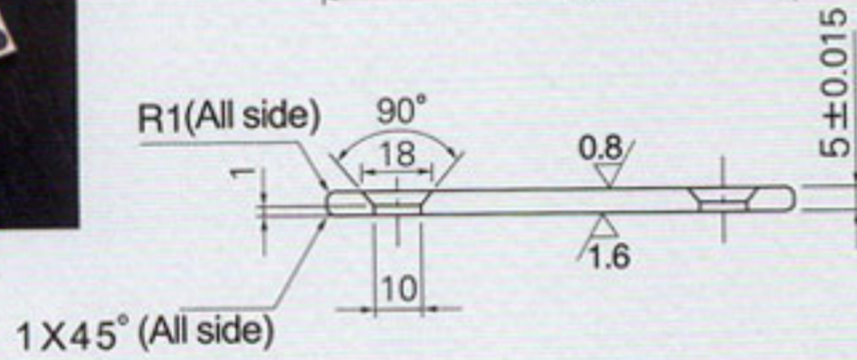
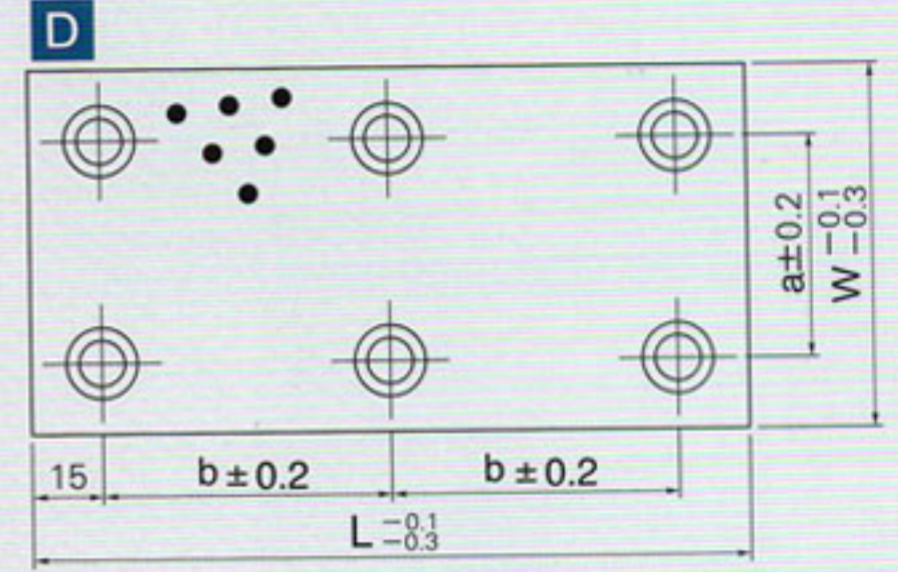
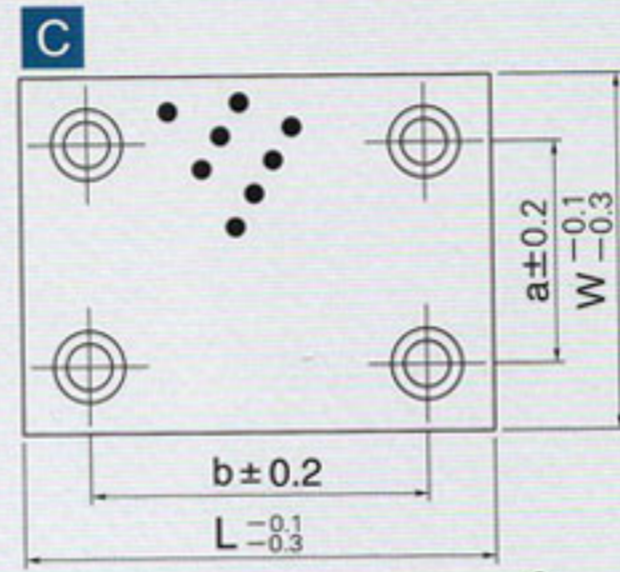
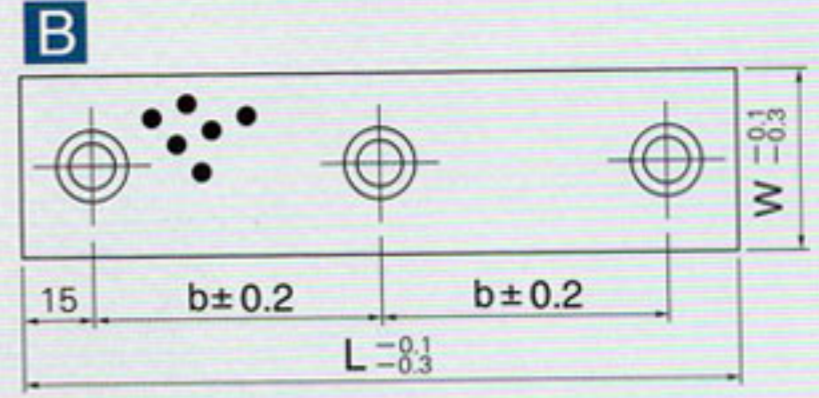
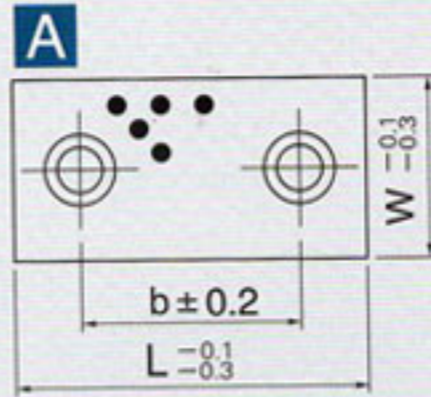
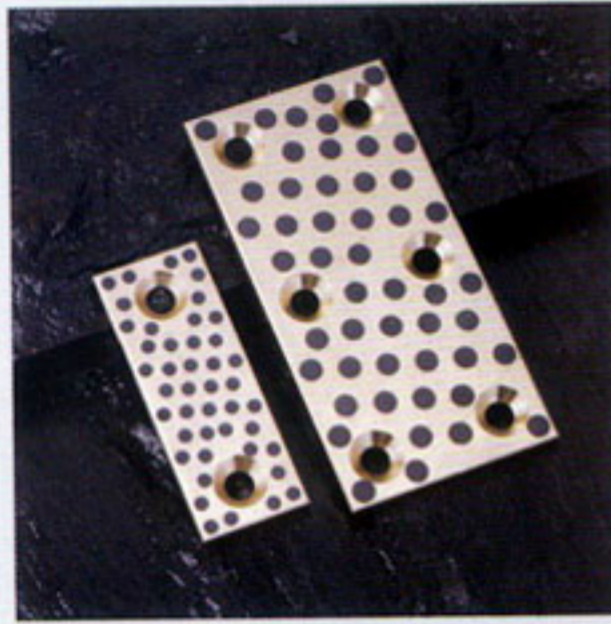
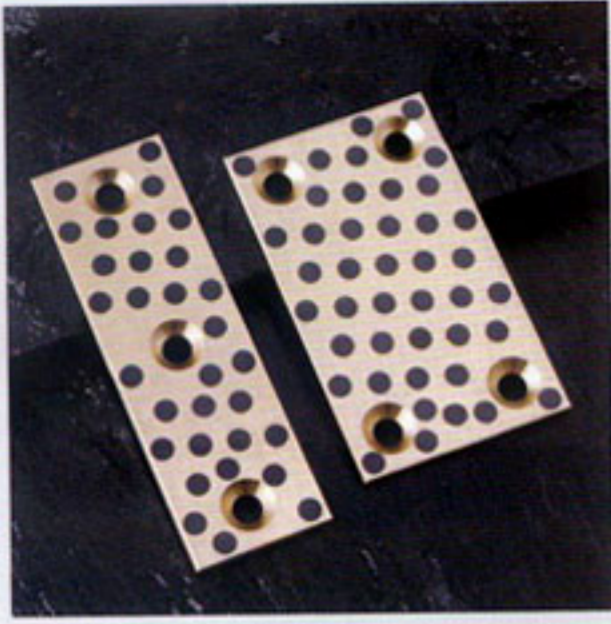
型号 TYPE	W	L	b	识别码 MARK
JSP-1	100	100	50	BE
		125	75	
		150	100	
		200	150	
		250	200	
		300	200	
	125	125	75	
		150	100	
		200	150	
		250	200	
		300	200	
		350	200	
150	150	100		
	200	150		
	250	200		

订货方法: PURCHASE NO:	型号 TYPE JSP-1	WXLX10 100×100×10	识别码 MARK BE
-----------------------	------------------	----------------------	----------------



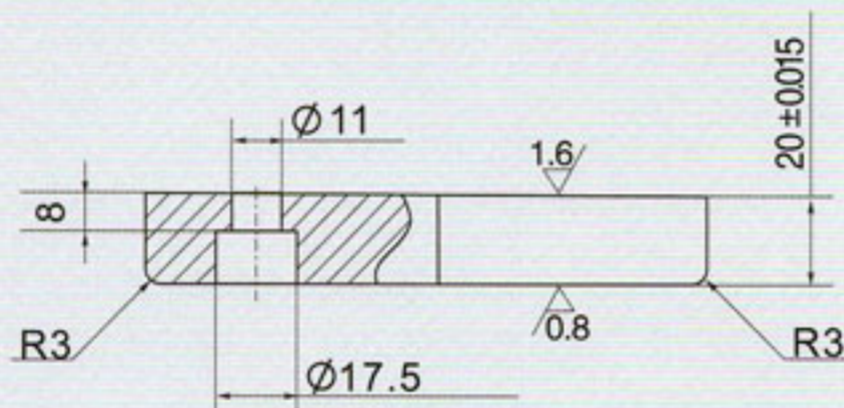
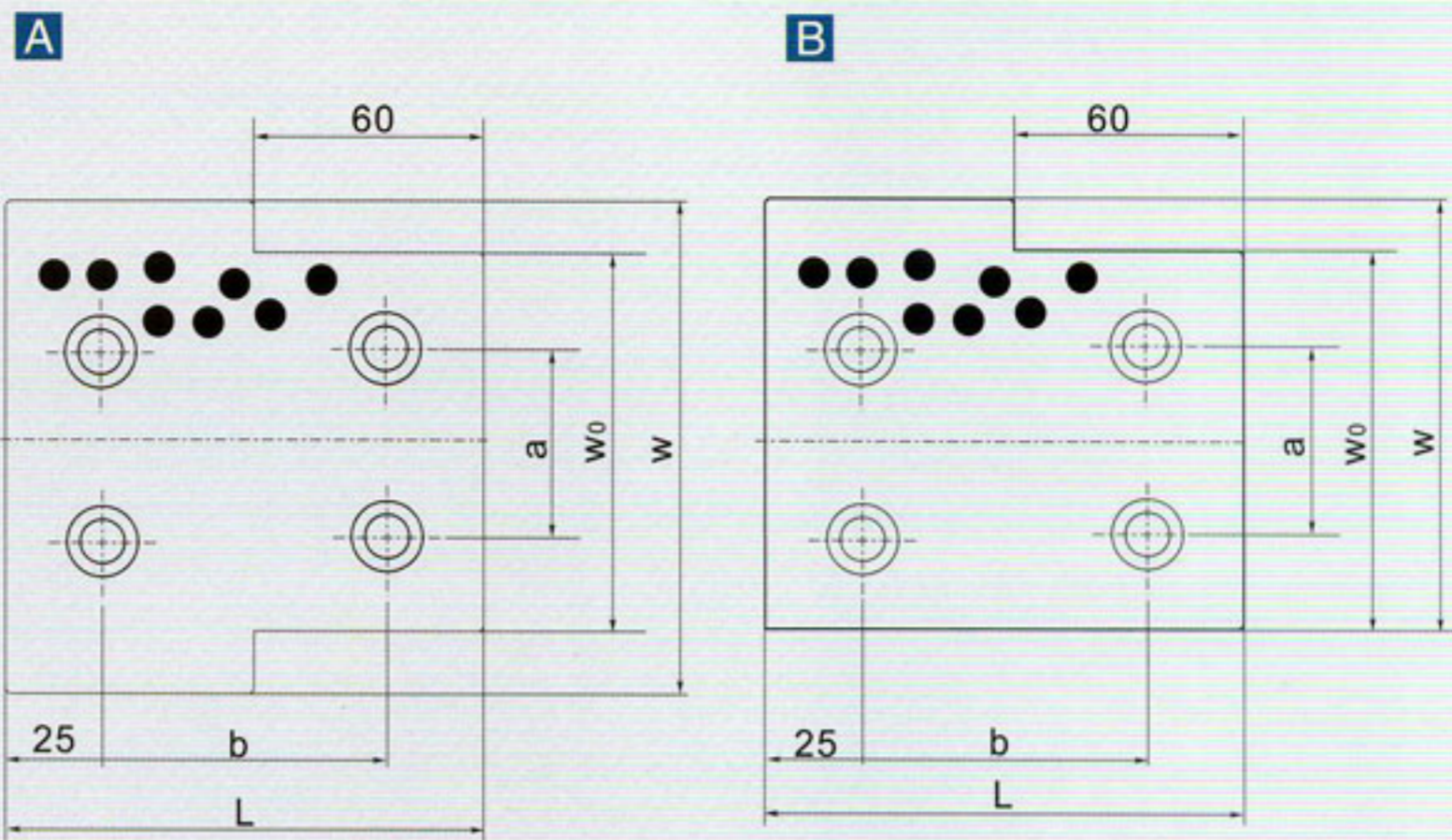
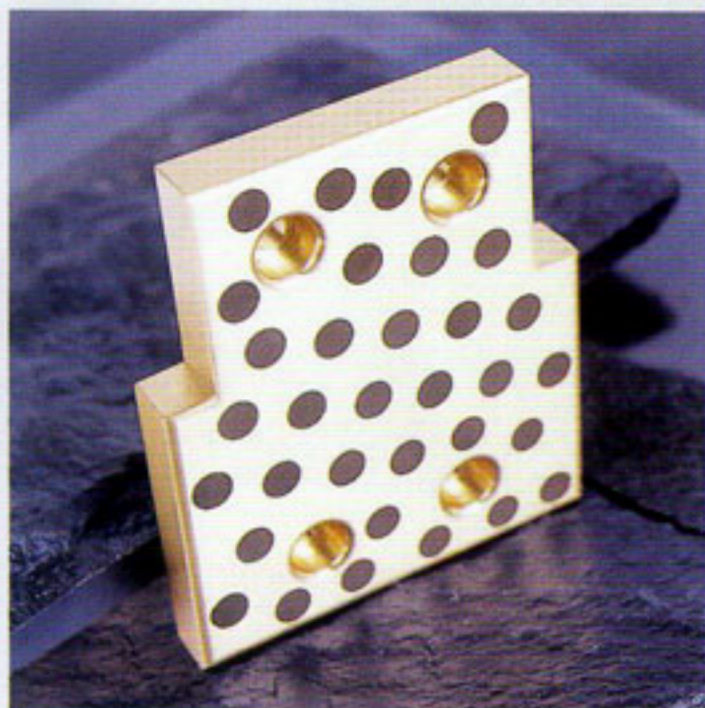
型号 TYPE	W	L	a	b	尺寸图 SKETCH	识别码 MARK
JSP-5C	48	75	—	45	A	BC
		100		50		
		125		75		
		150		100		
		200		150		
	75	75	—	25		
		100		50		
		125		75		
		150		100		
		200		150		
	100	100	50	50	B	
		125		75		
		150		100		
		200		150		
		250		200		
	125	125	50	75		
		150		100		
		200		150		
		250		200		
	150	150	100	100		
200		150				
250		200				

订货方法: PURCHASE NO:	型号 TYPE JSP-5C	WXLX20 48x75x20	识别码 MARK BC
-----------------------	-------------------	--------------------	----------------



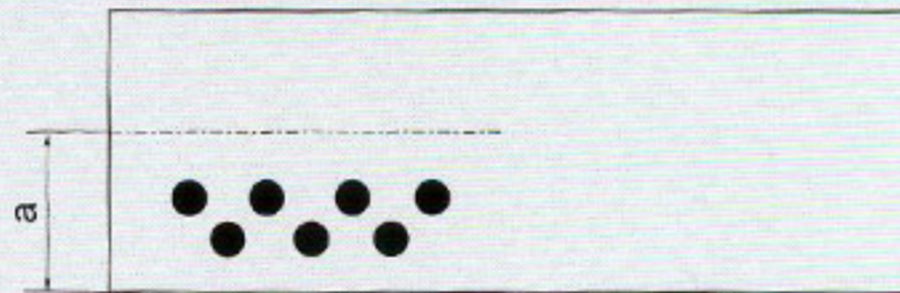
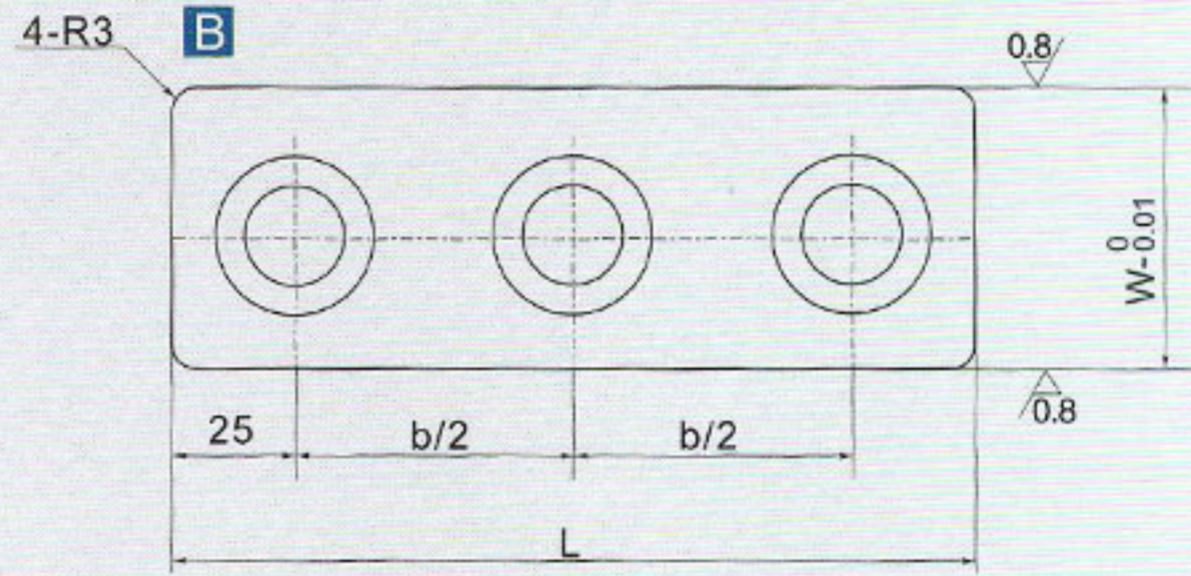
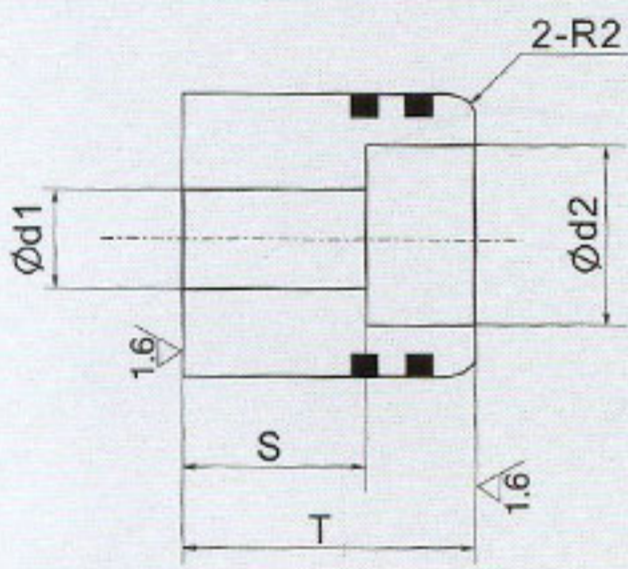
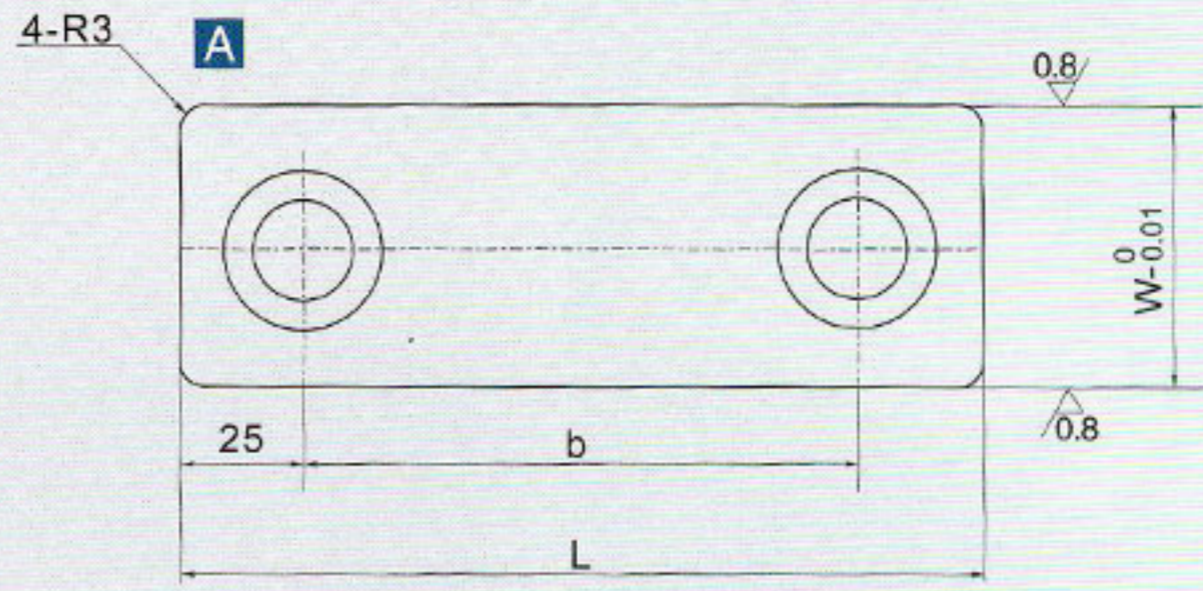
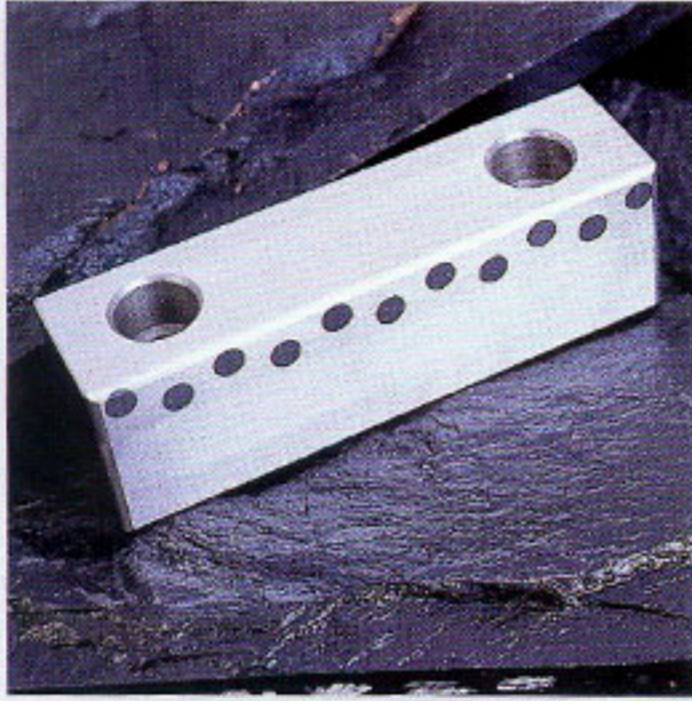
型号 TYPE	W	L	b	a	尺寸图 SKETCH	识别码 MARK
JSP-1	28	50	20	—	A	BH
		75	45			
		100	70			
		150	60			
	38	50	20	—	A	
		75	45			
		100	70			
		150	60			
	48	75	45	—	A	
		100	70			
		125	95			
		150	60			
	75	75	45	45	C	
		100	70			
		125	95			
		150	60			
100	100	70	70	C		
	125	95				
	150	60				

订货方法: PURCHASE NO:	型号 TYPE JSP-1	WXLX5 28x50x5	识别码 MARK BH
-----------------------	------------------	------------------	----------------



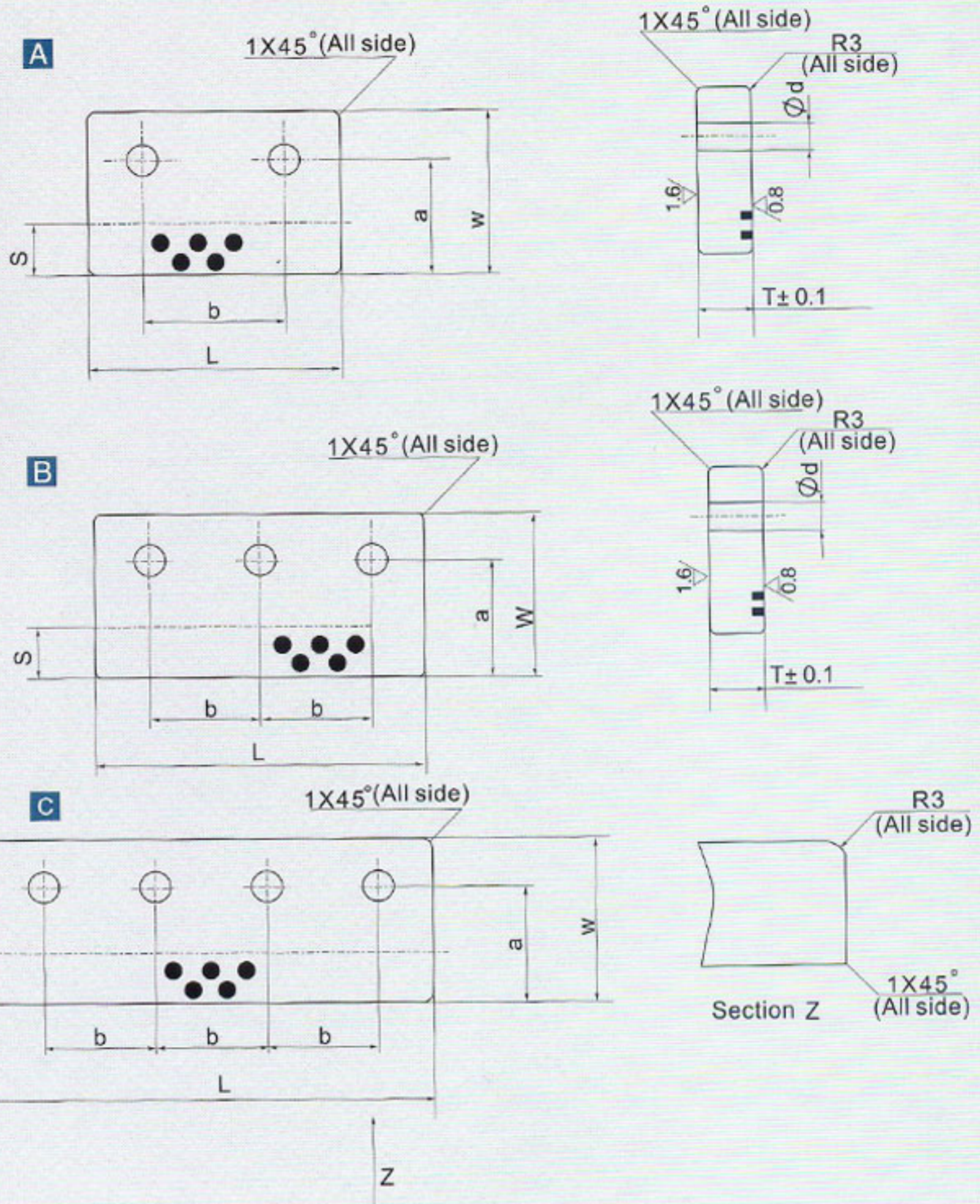
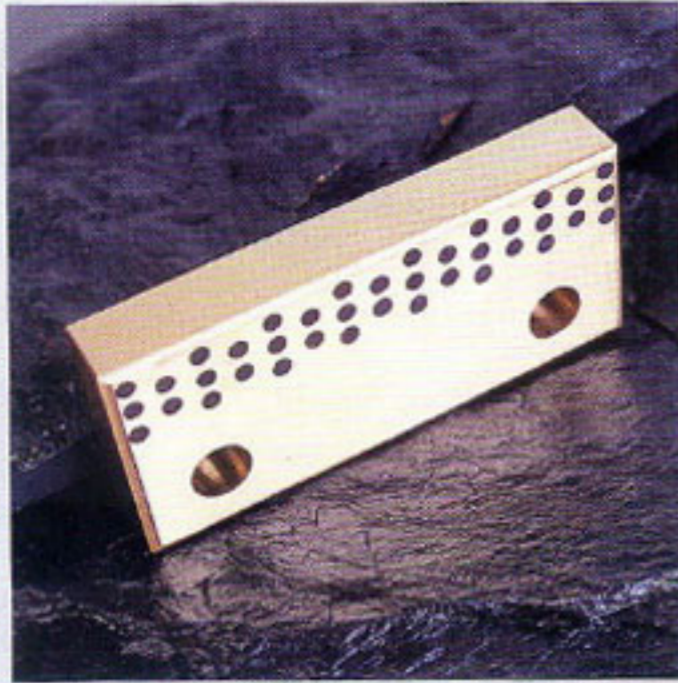
型号 TYPE	W	L	W ₀	a	b	尺寸图 SKETCH	识别码 MARK	
JSP-1	130	125	100	50	75	A	QD	
		150			100			
	155	150	125	75	100			
		200			150			
		250			200			
	180	200	150	100	150			
		250			200			
	115	125	100	50	75			B
		150			100			
	140	150	125	75	100			
		200			150			
		250			200			
	165	200	150	100	150			
		250			200			

订货方法: PURCHASE NO:	型号 TYPE JSP-1	WXLX20 100×125×20	识别码 MARK QD
-----------------------	------------------	----------------------	----------------



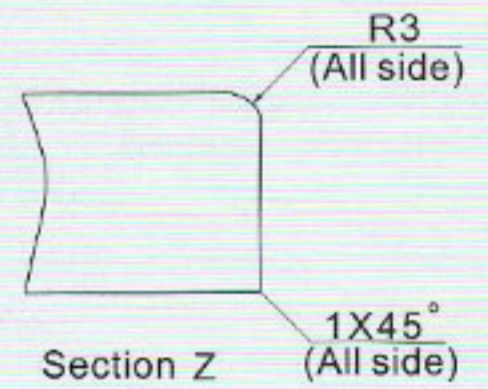
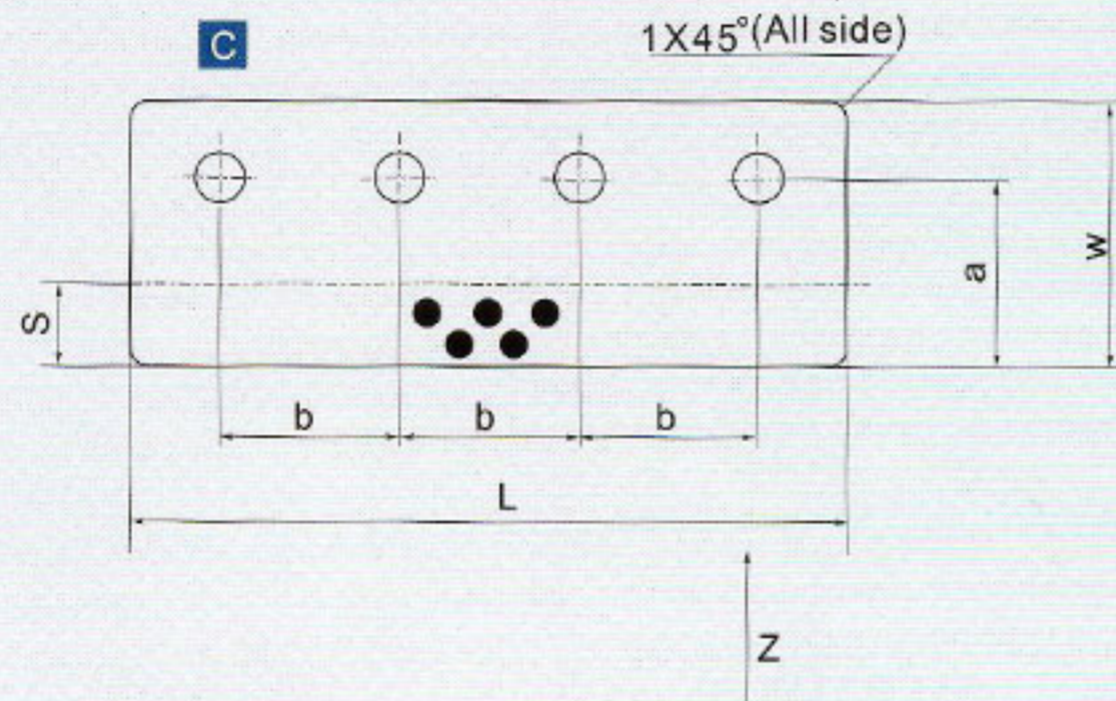
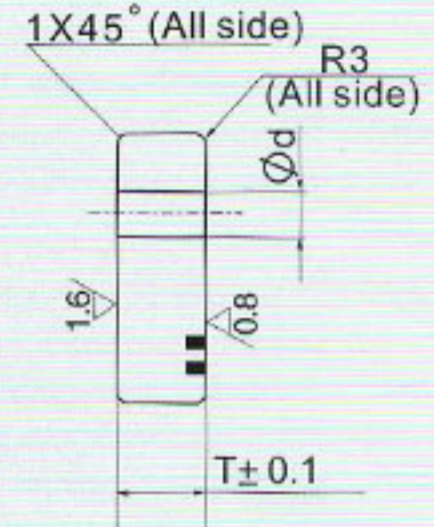
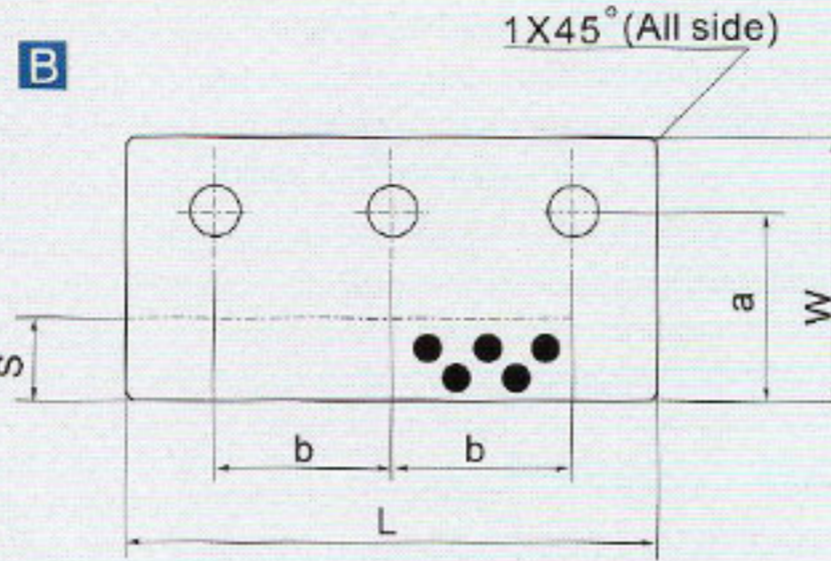
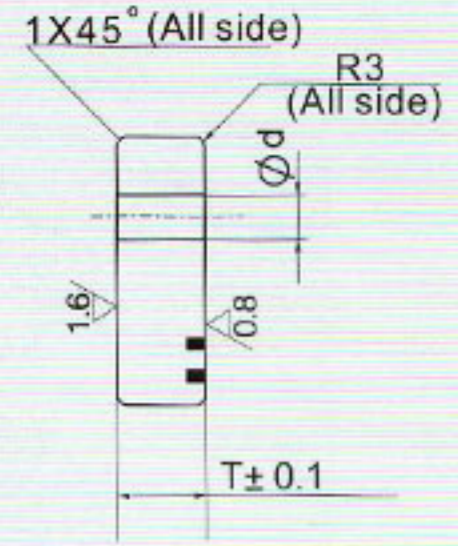
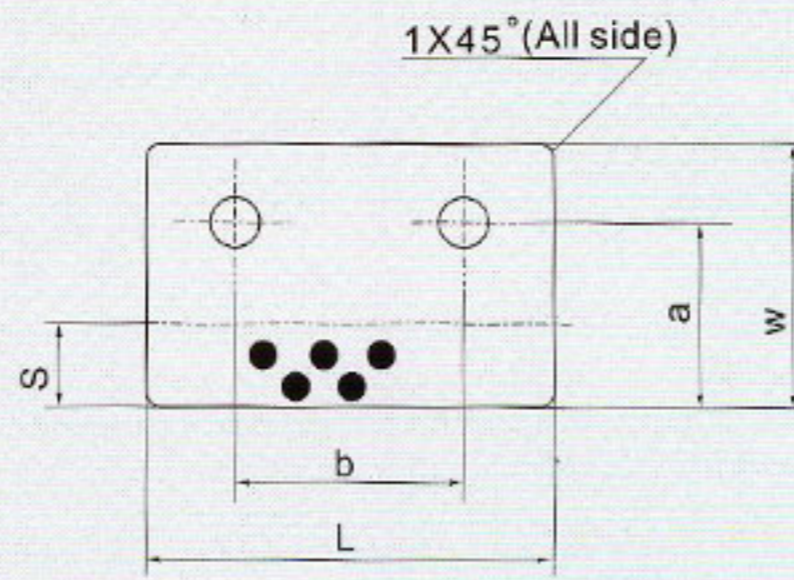
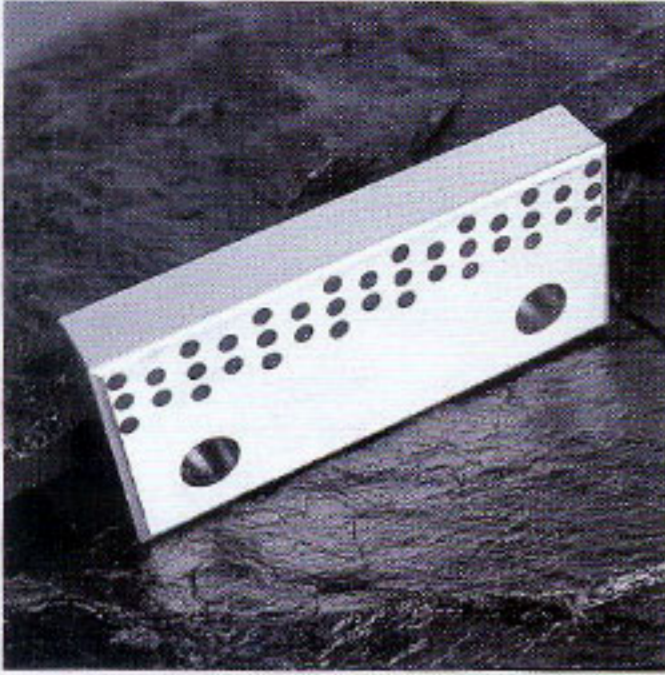
型号 TYPE	W	L	T	b	a	$\phi d1$	$\phi d2$	s	尺寸图 SKETCH	识别码 MARK
JSP-4	40	150	45	100	15	13	20	30	A	QP
		200		150					B	
		250		100					B	
	60	150	60	100	20	18	32	38	A	
		200		150					A	
		250		100					B	
		300		125					B	

订货方法: PURCHASE NO:	型号 TYPE JSP-4	WXLXT 40x150x45	识别码 MARK QP
-----------------------	------------------	--------------------	----------------



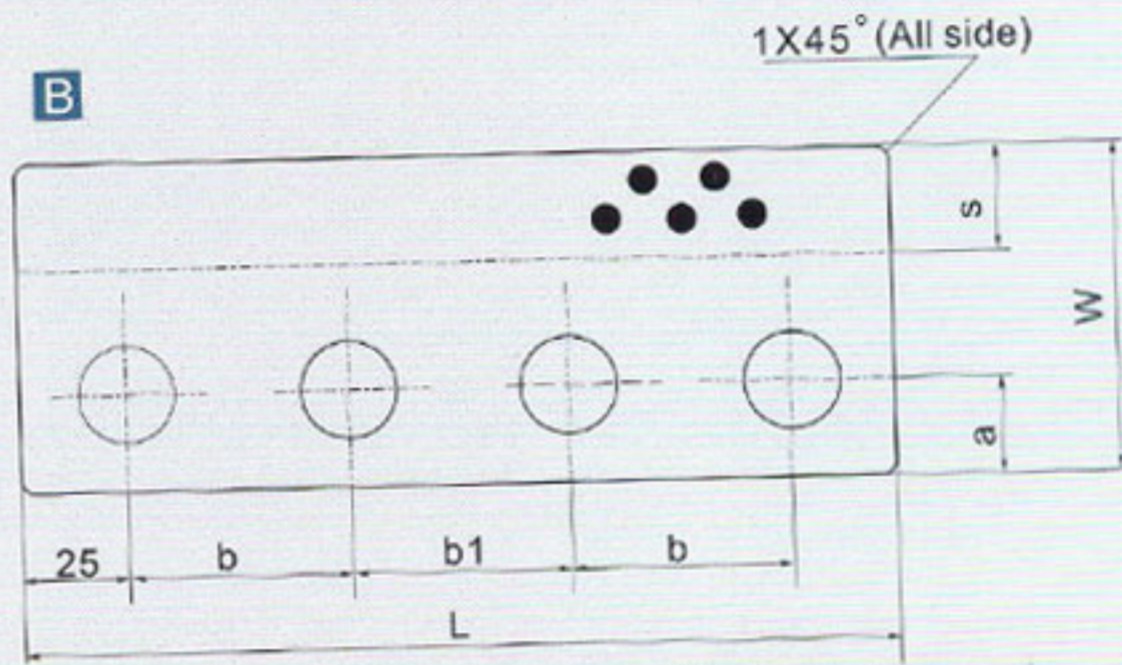
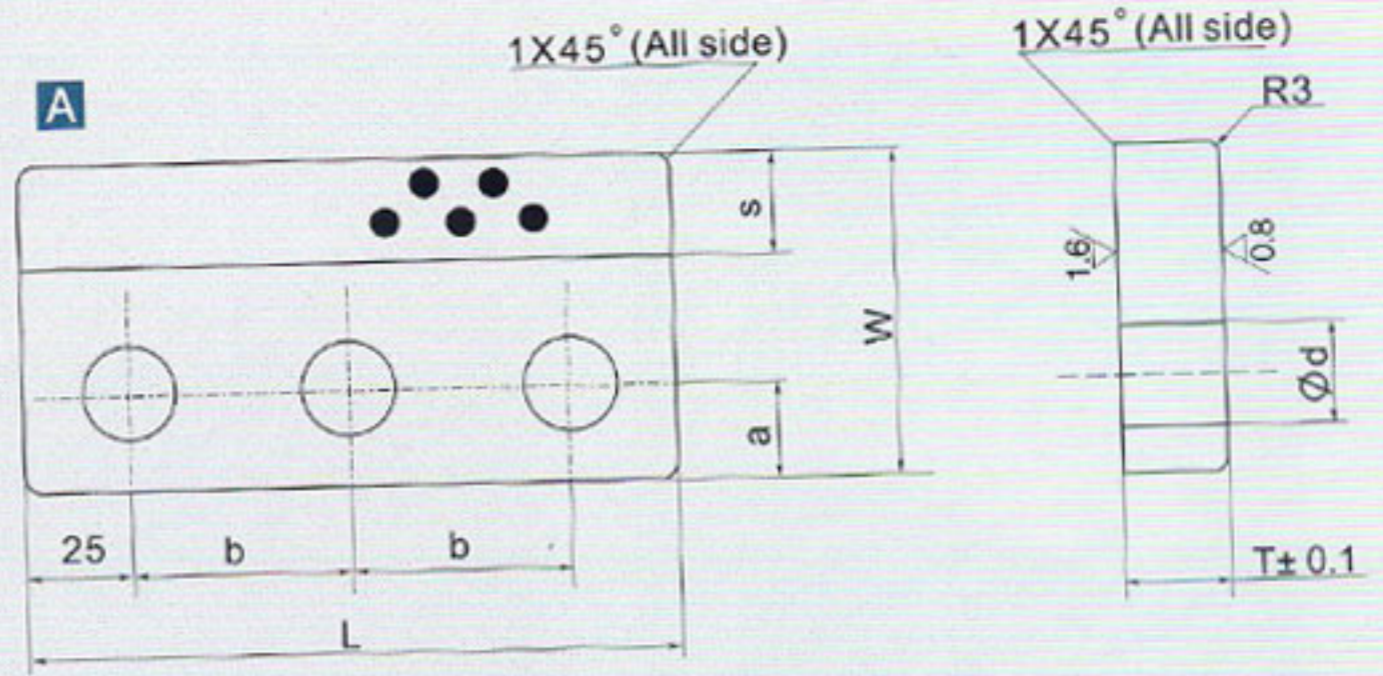
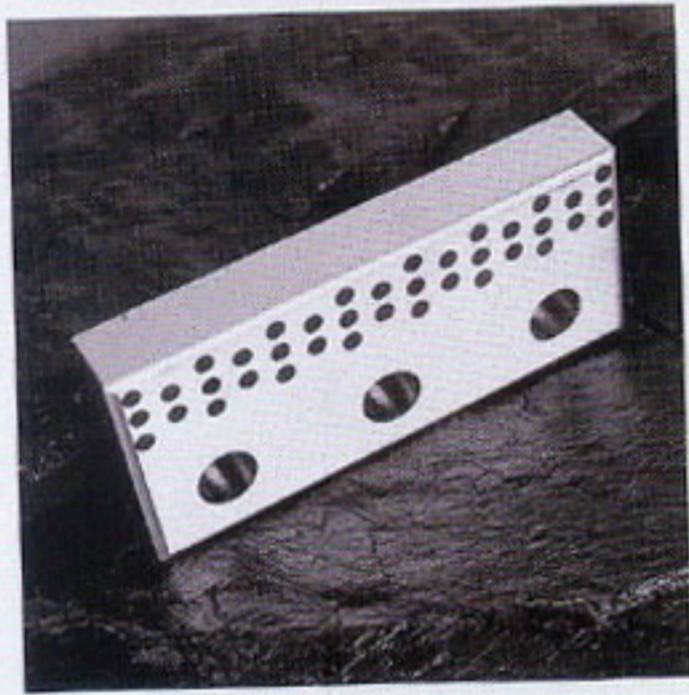
型号 TYPE	W	L	T	b	a	ød	S	尺寸图 SKETCH	识别码 MARK
JSP-1	70	160	25	110	50	18	25	A	QB
		200		75					
		240		90					
	85	200	28	75	60	22	30	B	
		240		90					
		300		80					
		350		90					

订货方法: PURCHASE NO:	型号 TYPE JSP-1	WXLXT 70x160x25	识别码 MARK QB
-----------------------	------------------	--------------------	----------------



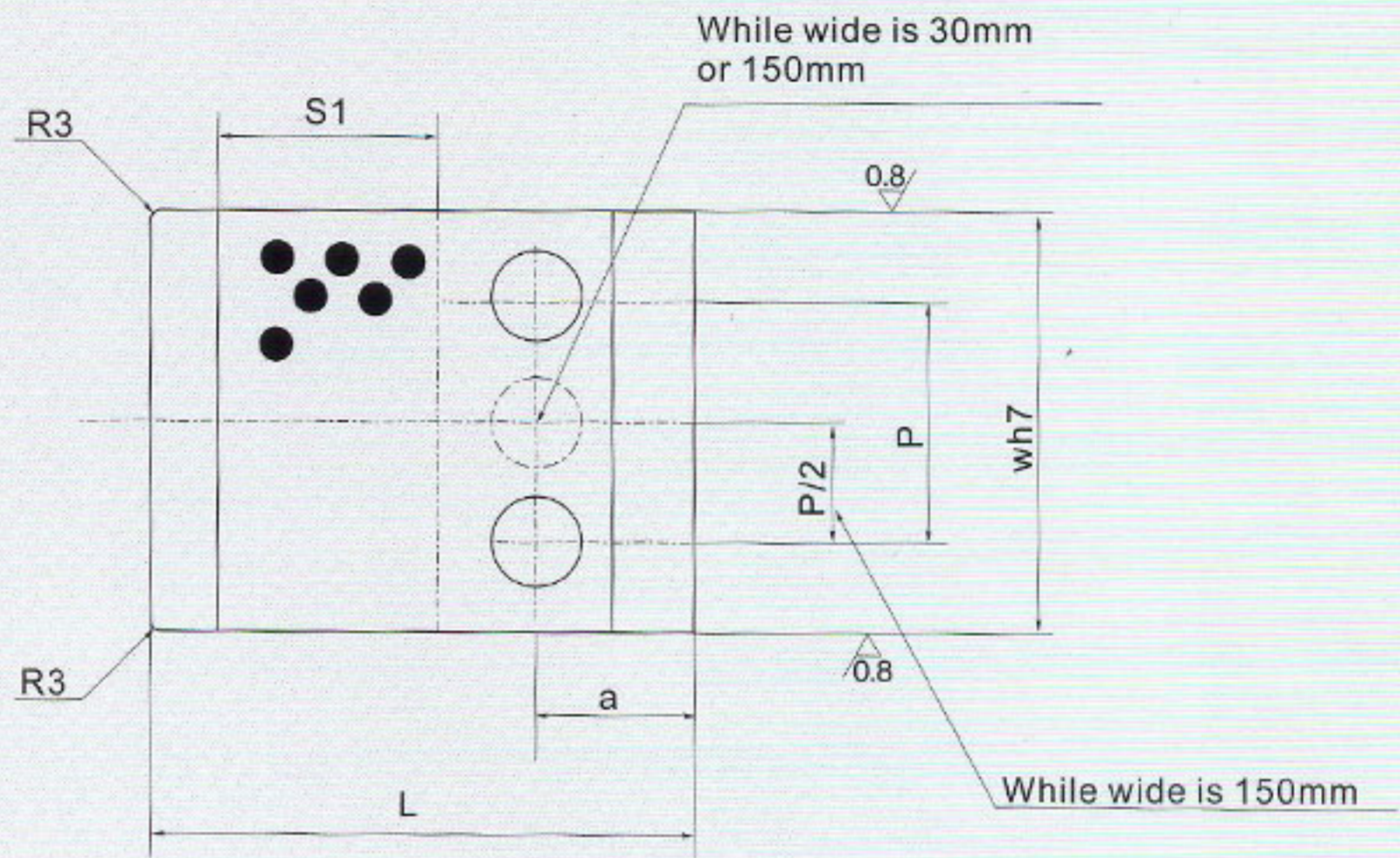
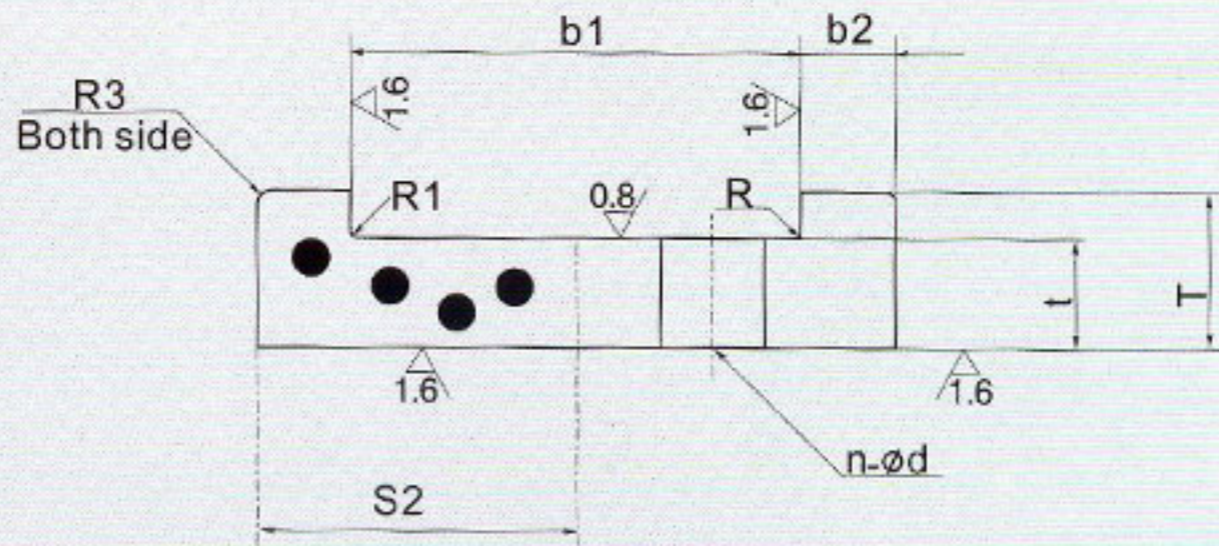
型号 TYPE	W	L	T	b	a	ød	S	尺寸图 SKETCH	识别码 MARK
JSP-4	70	160	25	110	50	18	25	A	QC
		200		75					
		240		90					
	85	200	28	75	60	22	30	B	
		240		90					
		300		80					
		350		90					
	100	200	28	75	70	22	30	B	
		240		90					
		300		80					
		350		90					

订货方法: PURCHASE NO:	型号 TYPE JSP-4	WXLXT 70x160x25	识别码 MARK QC
-----------------------	------------------	--------------------	----------------



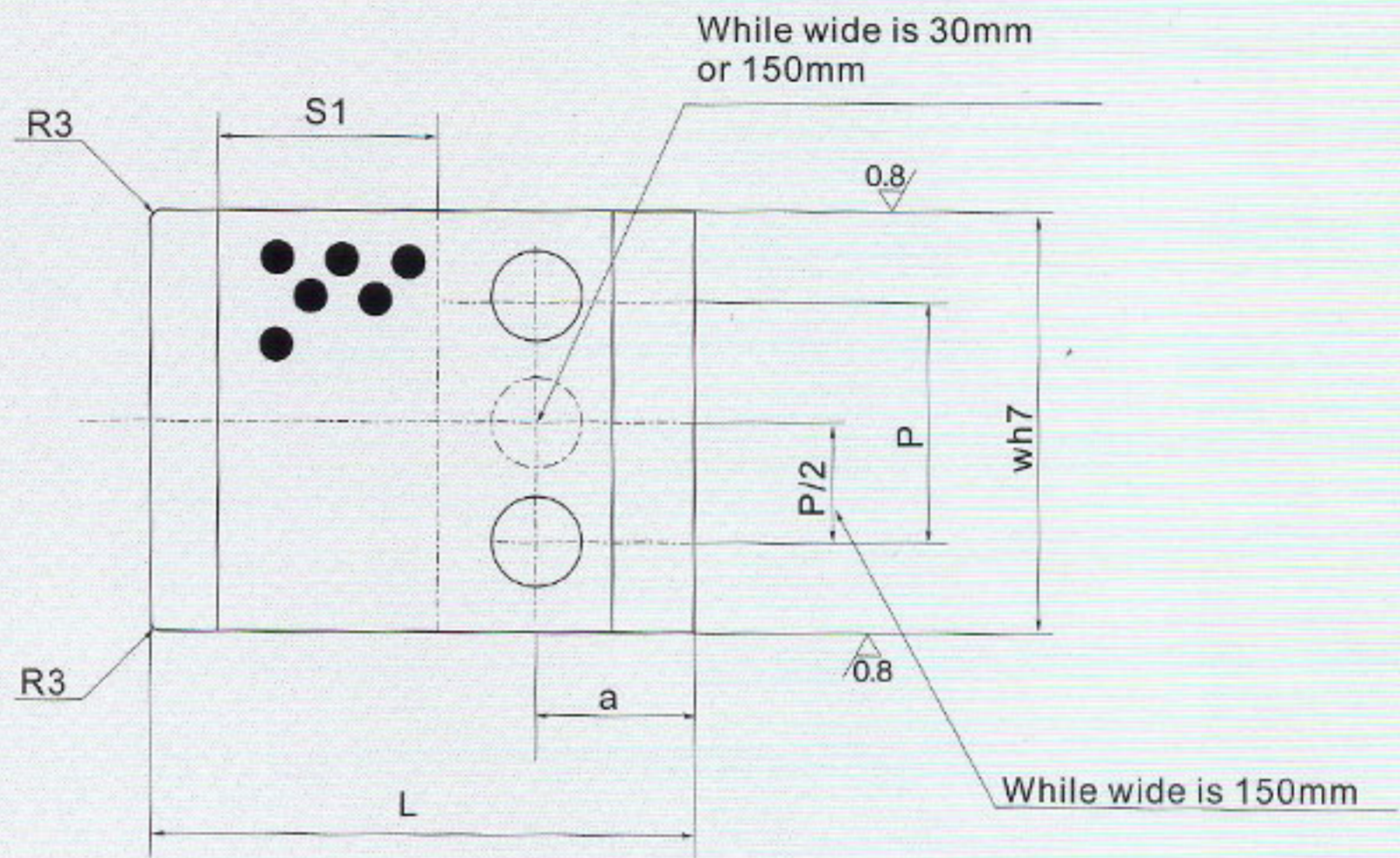
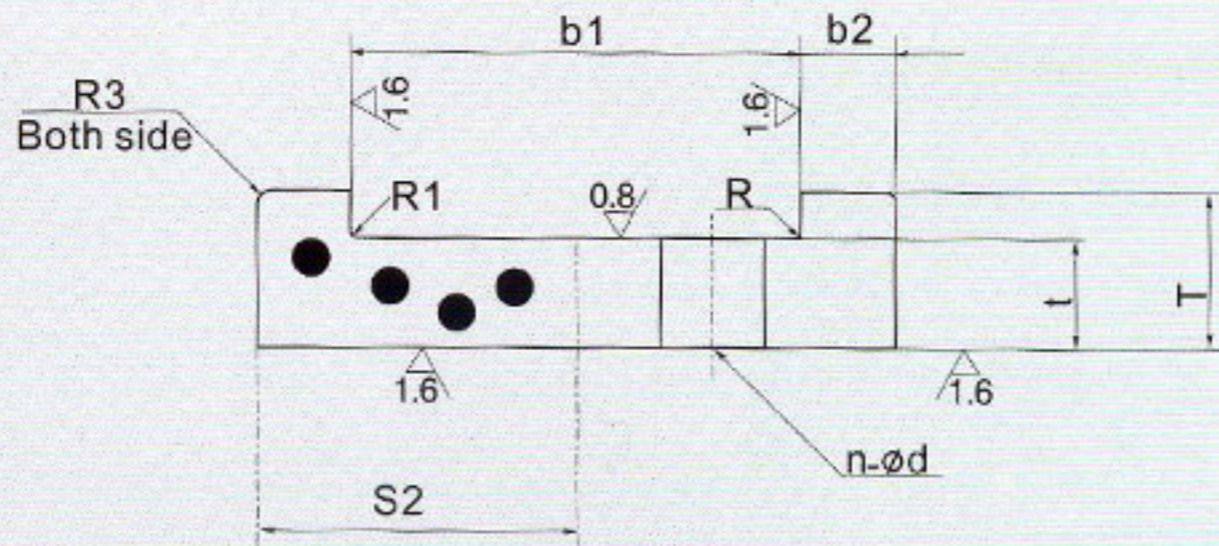
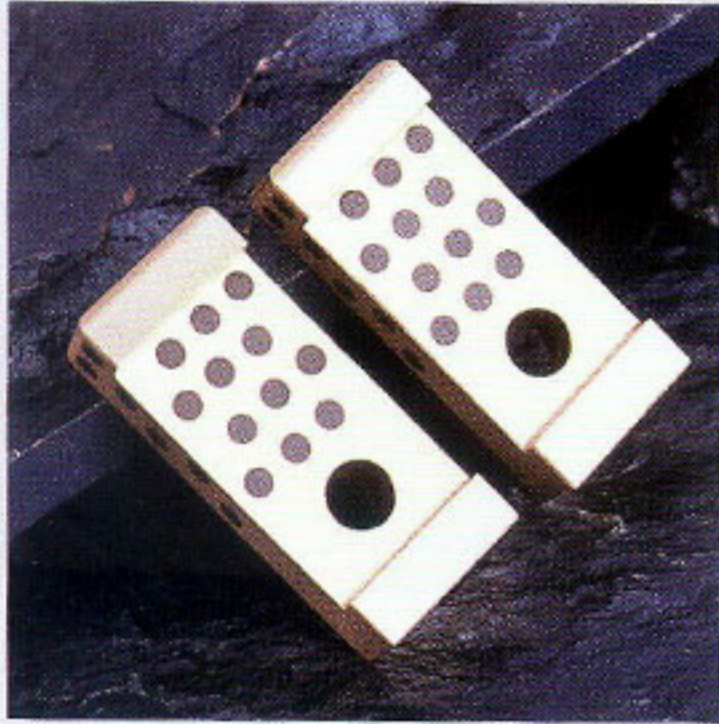
型号 TYPE	W	L	T	b	b1	a	S	Ød	尺寸图 SKETCH	识别码 MARK
JSP-1 JSP-4	52	150	20	50	—	20	12	13	A	QA
		200		75	—				B	
		250		50	—				B	
	72	150	30	50	—	25	22	18	A	
		200		75	—				B	
		250		50	50				B	
	77	150	35	50	—	25	27	18	A	
		200		75	—				B	
		250		50	50				B	
	82	150	40	50	—	25	32	18	A	
		200		75	—				B	
		250		50	50				B	
105	150	40	50	—	25	32	18	A		
	200		75	—				B		
	250		50	50				B		

订货方法: PURCHASE NO:	型号 TYPE JSP-1	WXLXT 52×150×20	识别码 MARK QA
-----------------------	------------------	--------------------	----------------



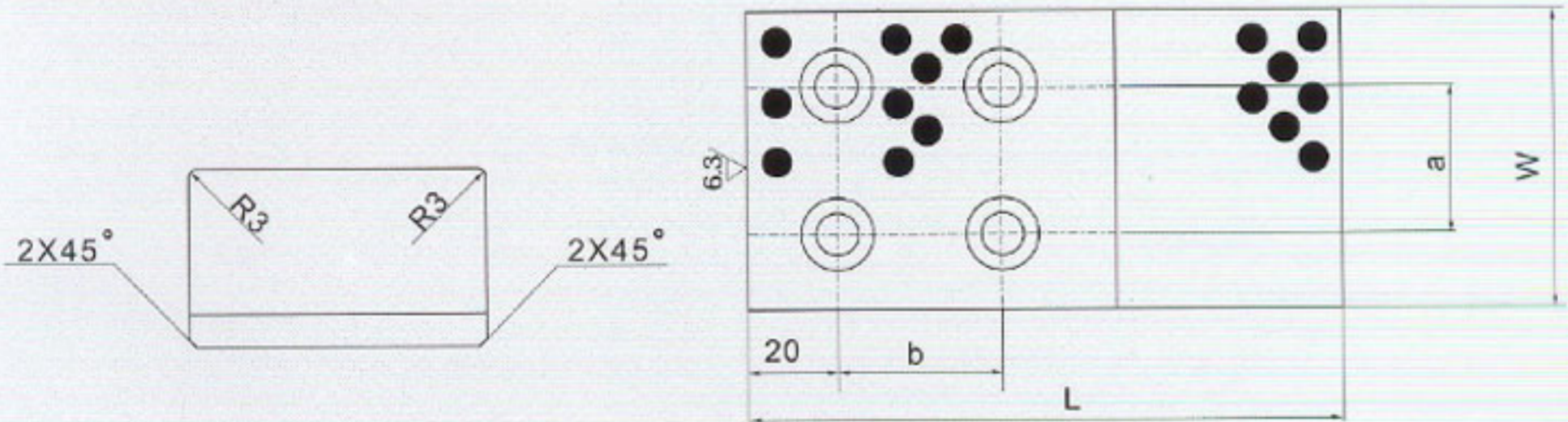
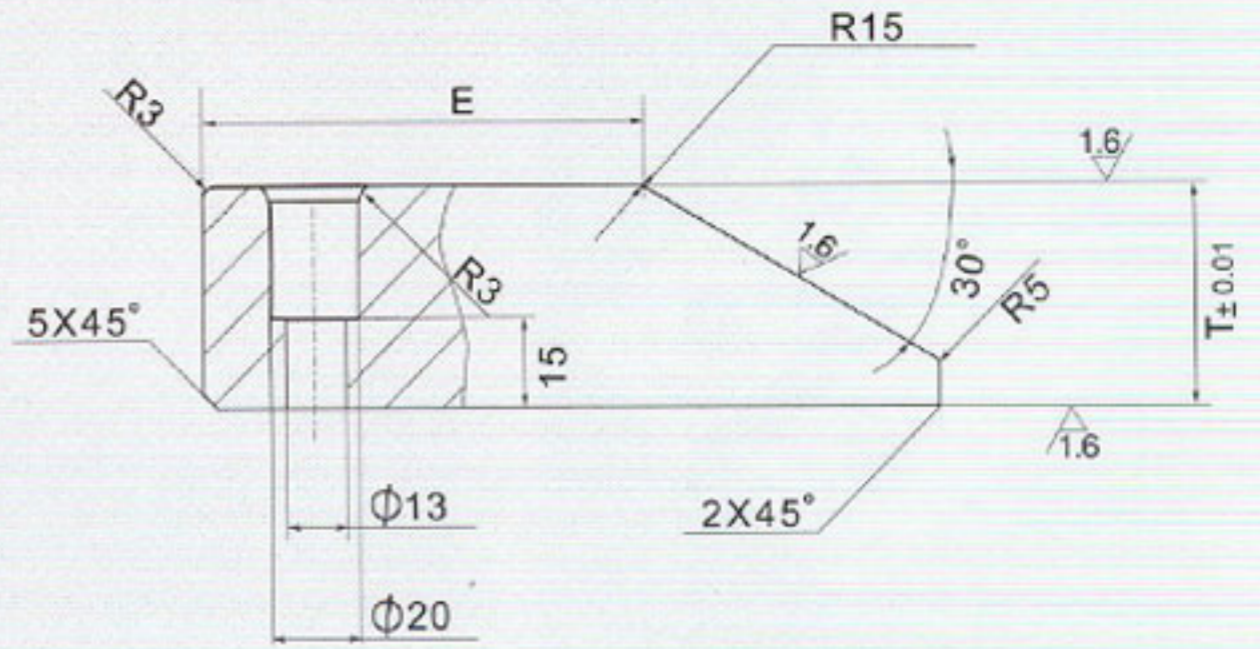
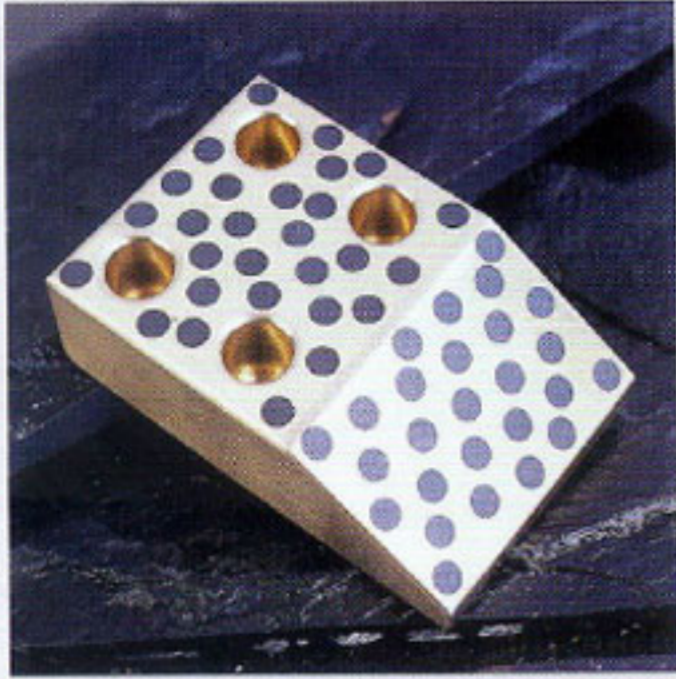
型号 TYPE	W		L	T	b1	b2	t	S1	S2	P	a	n	ød	识别码 MARK	
JSP-1	30	0	70	17	50	10	12	30	40	—	20	1	11	QE	
		-0.021	90		70			50	60						
	45	0	70	25	30	20	15	30	40	22	40	2	13		
		-0.025	90		50			50	60						
	60	0	-0.030	120	35	80	20	25	40	60	30	40	3		18
				140		100			60	80					
				160		120			80	100					
	100	0	-0.035	120	35	80	20	25	40	60	70	40	3		18
				140		100			60	80					
				160		120			80	100					
	150	0	-0.040	120	35	80	20	25	40	60	60	40	3		18
				140		100			60	80					
160				120		80			100						
			180		140			100	120						

订货方法: PURCHASE NO:	型号 TYPE JSP-1	WXLXT 30x70x17	识别码 MARK QE
-----------------------	------------------	-------------------	----------------



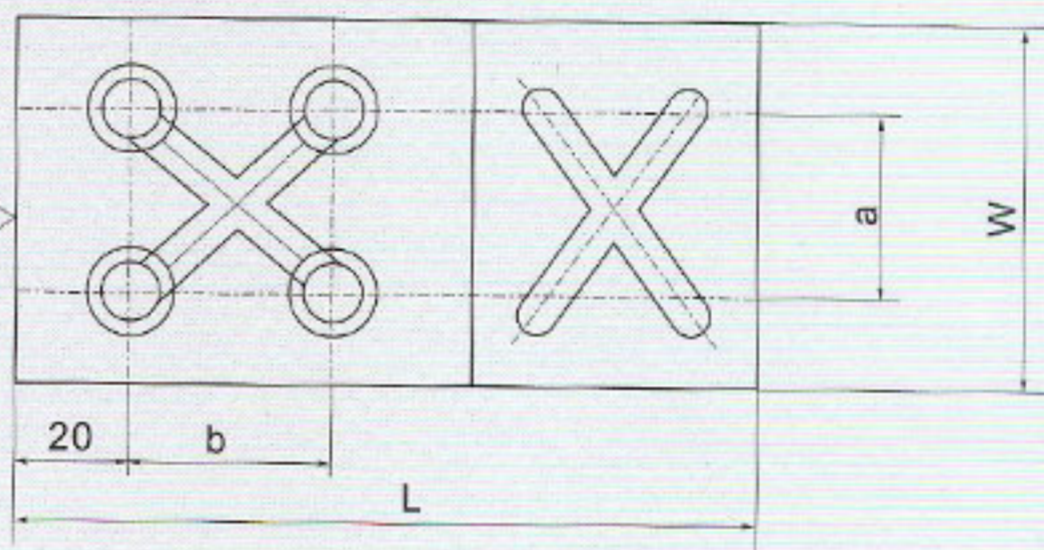
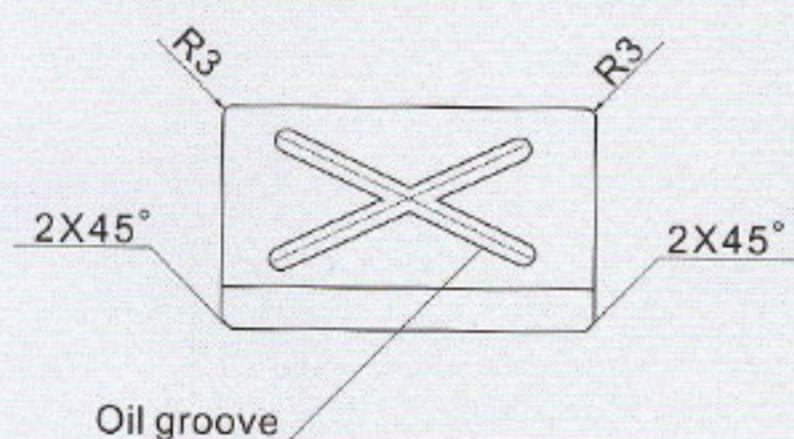
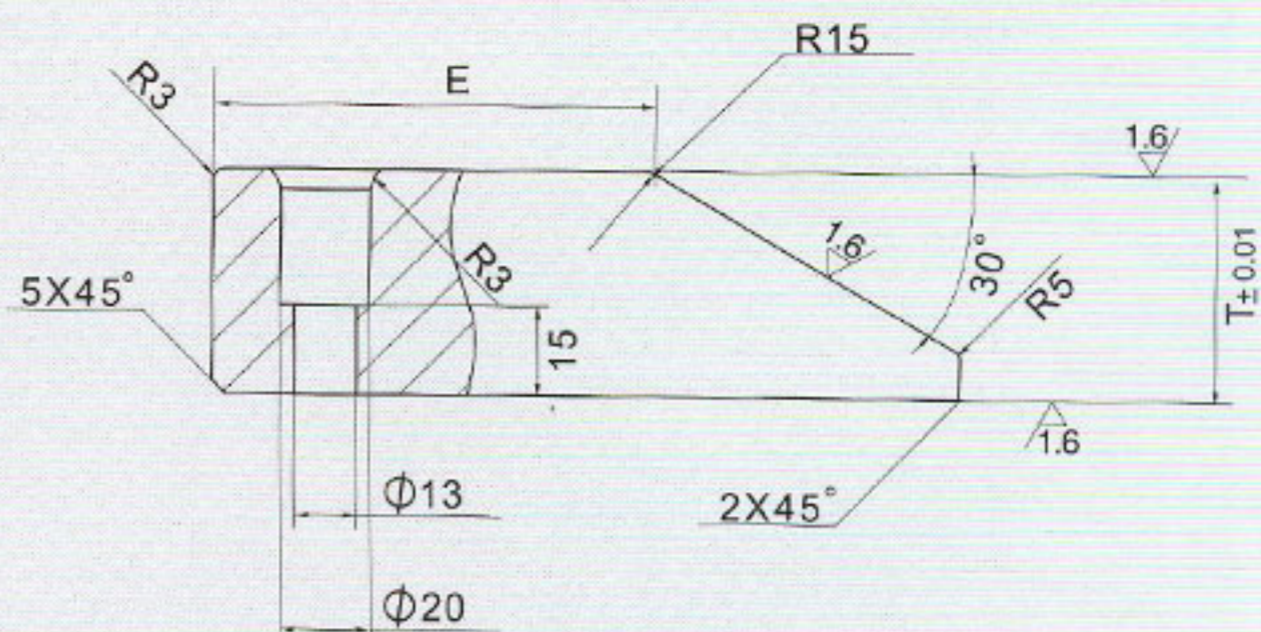
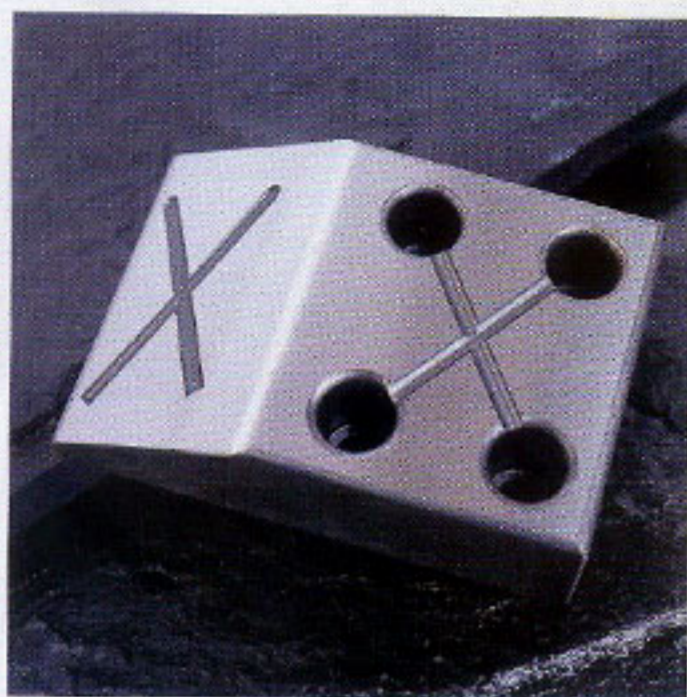
型号 TYPE	W		L	T	b1	b2	t	S1	S2	P	a	n	ød	识别码 MARK	
JSP-1	30	0	70	17	50	10	12	30	40	—	20	1	11	QE	
		-0.021	90		70			50	60						
	45	0	70	25	30	20	15	30	40	22	40	2	13		
		-0.025	90		50			60							
	60	0	-0.030	120	35	80	20	25	40	60	30	40	2		13
				140		100			60	80					
				160		120			80	100					
	100	0	-0.035	120	35	80	20	25	40	60	70	40	2		13
				140		100			60	80					
				160		120			80	100					
	150	0	-0.040	120	35	80	20	25	40	60	60	40	3		18
				140		100			60	80					
160				120		80			100						
180				140		100			120						

订货方法: PURCHASE NO:	型号 TYPE JSP-1	WXLXT 30x70x17	识别码 MARK QE
-----------------------	------------------	-------------------	----------------



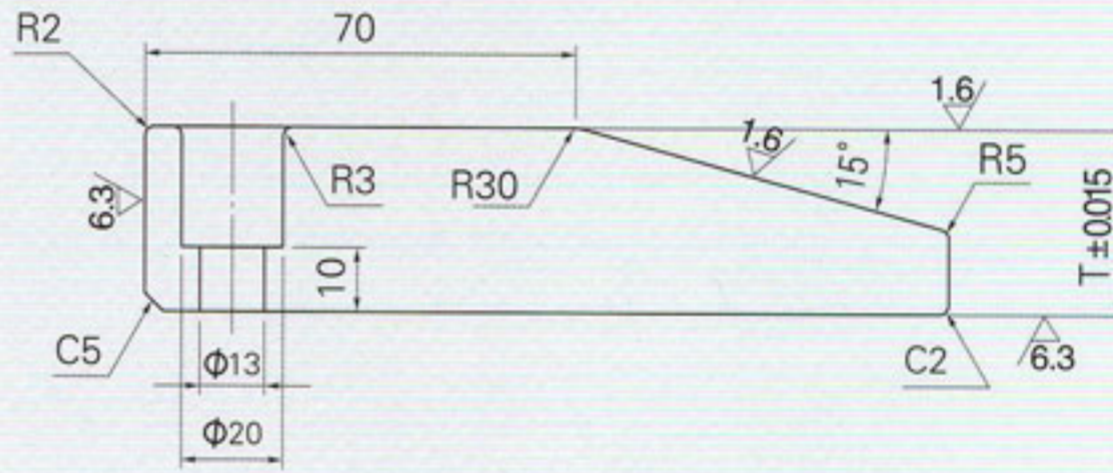
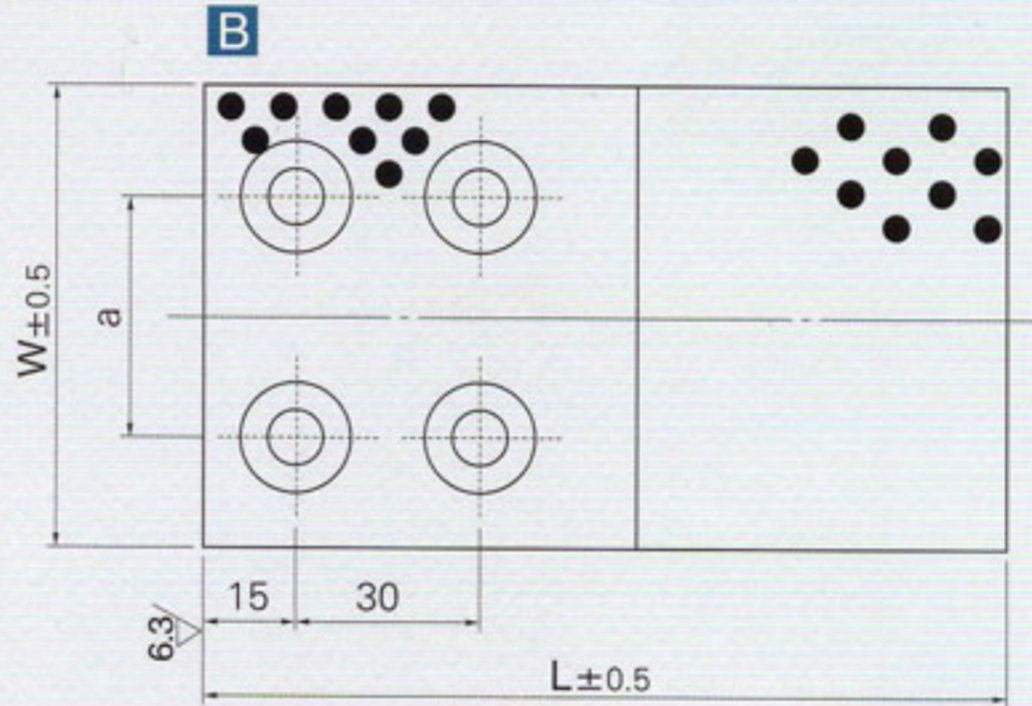
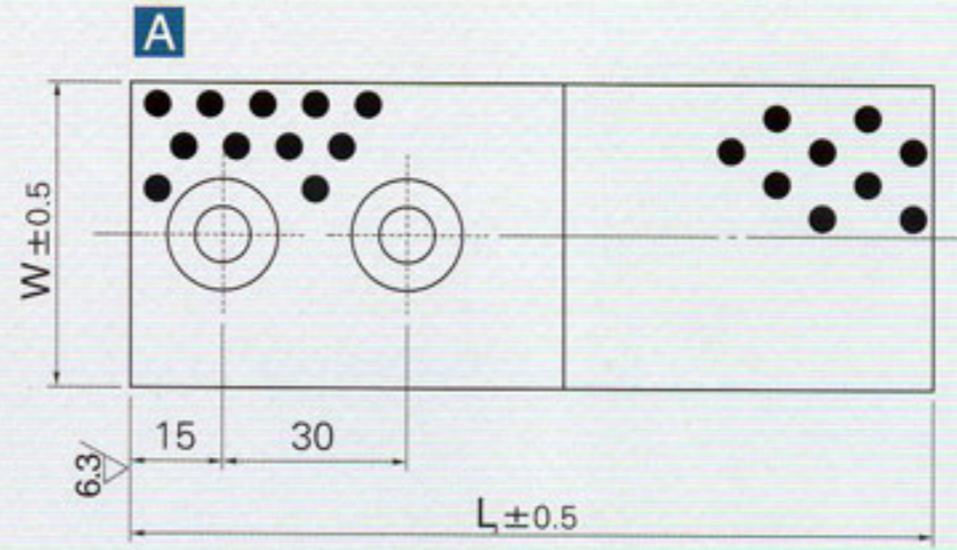
型号 TYPE	W	L	T	E	a	b	识别码 MARK
JSP-1	75	130	30	95	40	50	QF
		150	45	90		45	
		170	60	90		45	
		200		120		75	
	100	130	30	95	60	50	
		150	45	90		45	
		170	60	90		45	
		200		120		75	
	125	130	30	95	85	50	
		150	45	90		45	
		170	60	90		45	
		200		120		75	
	150	130	30	95	110	50	
		150	45	90		45	
		170	60	90		45	
		200		120		75	

订货方法: PURCHASE NO:	型号 TYPE JSP-1	WXLXT 75x130x30	识别码 MARK QF
-----------------------	------------------	--------------------	----------------



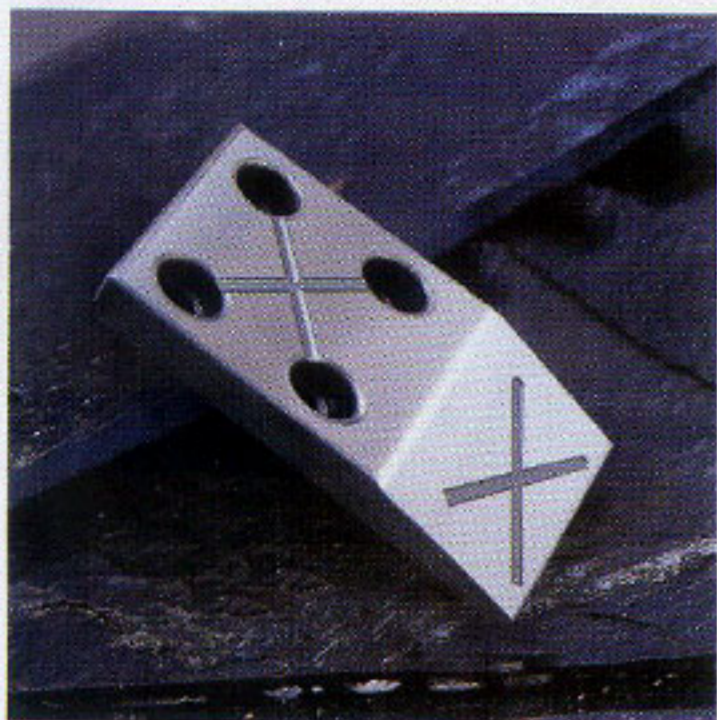
型号 TYPE	W	L	T	E	a	b	识别码 MARK
JSP-5C	75	130	30	95	40	50	QG
		150	45	90		45	
		170	60	90		45	
		200		120		75	
	100	130	30	95	60	50	
		150	45	90		45	
		170	60	90		45	
		200		120		75	
	125	130	30	95	85	50	
		150	45	90		45	
		170	60	90		45	
		200		120		75	
	150	130	30	95	110	50	
		150	45	90		45	
		170	60	90		45	
		200		120		75	

订货方法: PURCHASE NO:	型号 TYPE JSP-5C	WXLXT 75x130x30	识别码 MARK QG
-----------------------	-------------------	--------------------	----------------

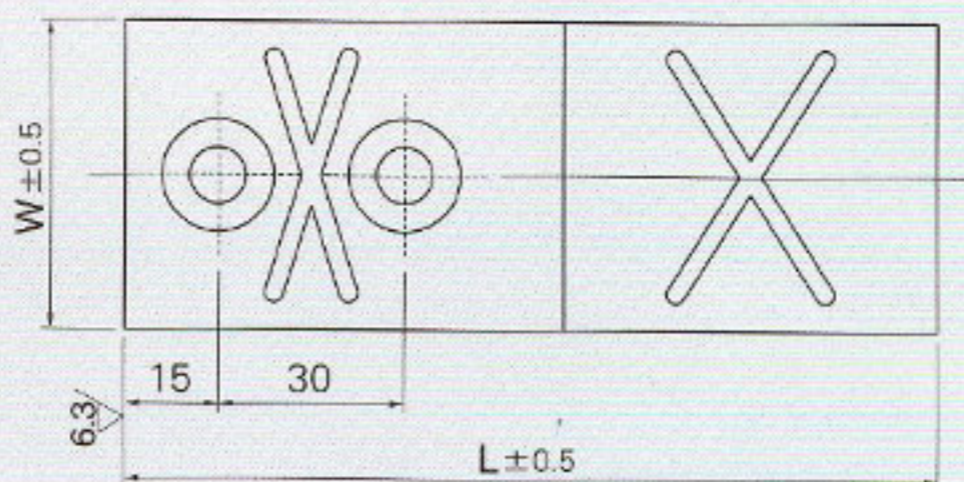


型号 TYPE	W	L	T	a	尺寸图 SKETCH	识别码 MARK
JSP-1	50	110	25	-	A	QH
		130	30			
		150	35			
	75	110	25	40	B	
		130	30			
		150	35			
	100	110	25	60		
		130	30			
		150	35			

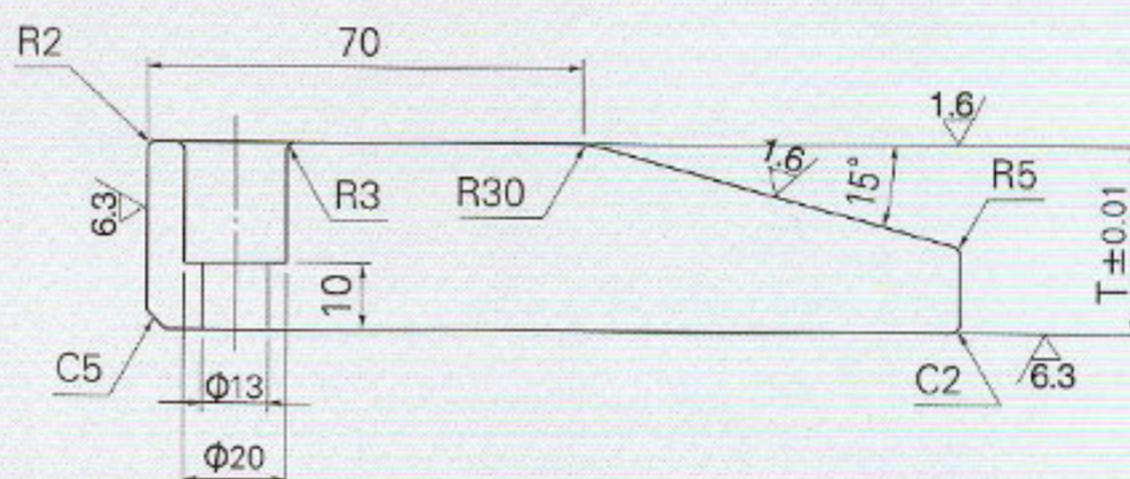
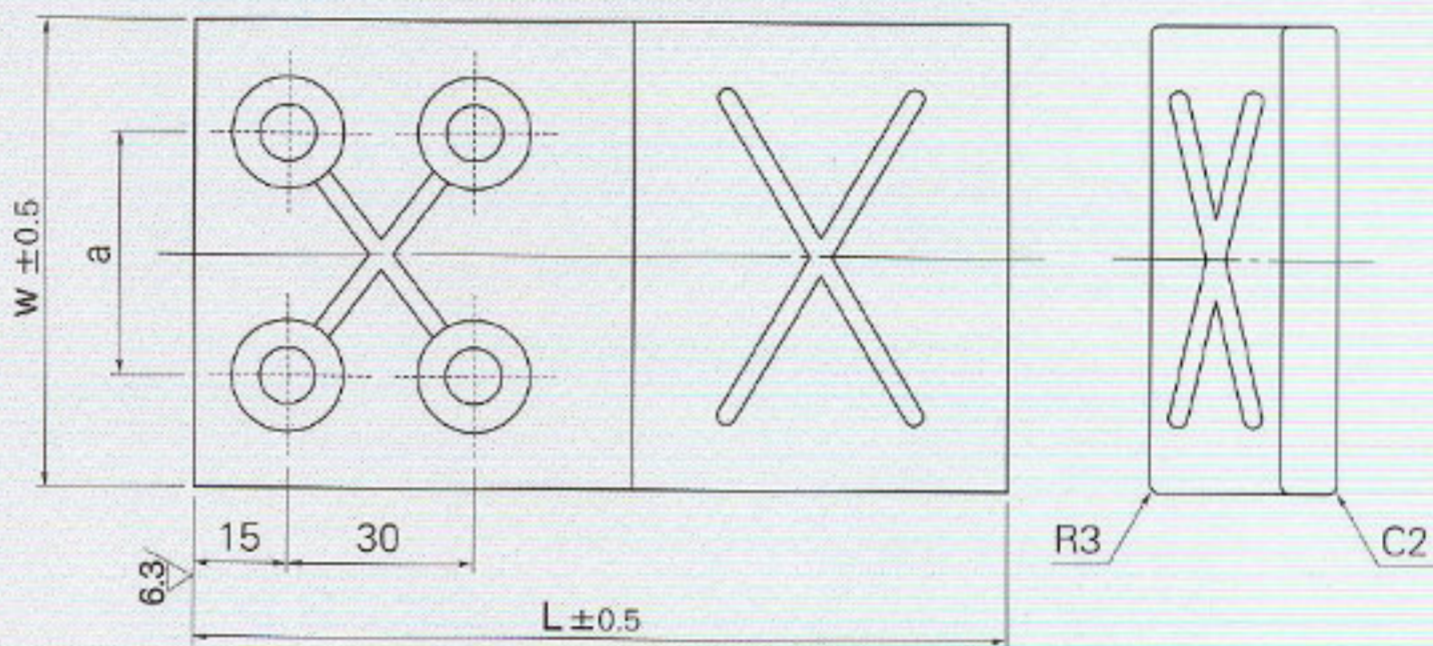
订货方法: PURCHASE NO:	型号 TYPE JSP-1	WXLXT 50 × 110 × 25	识别码 MARK QH
-----------------------	------------------	------------------------	----------------



A

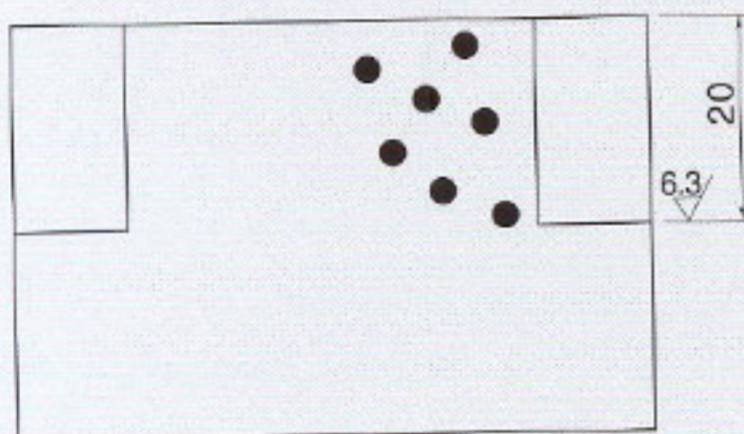
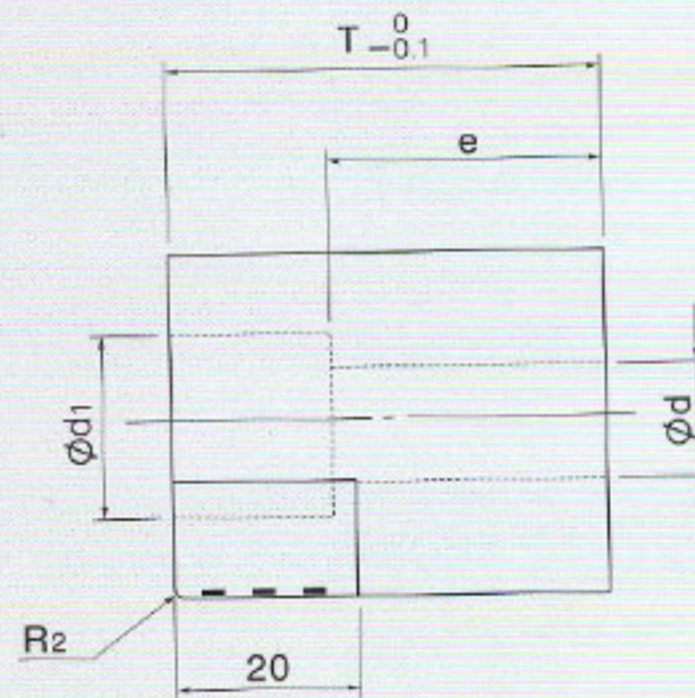
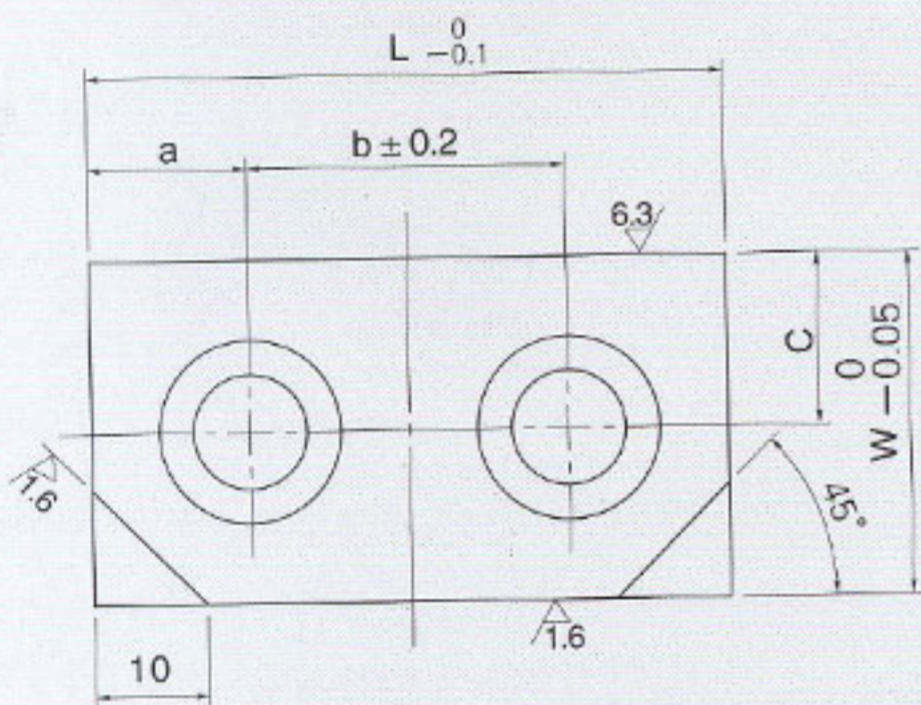


B



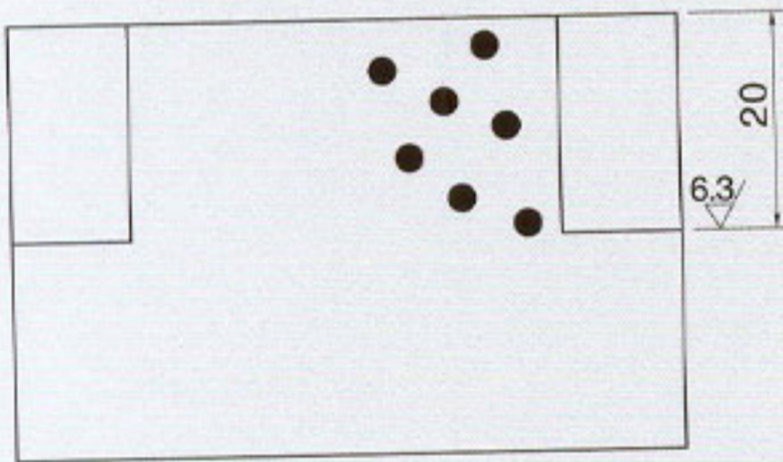
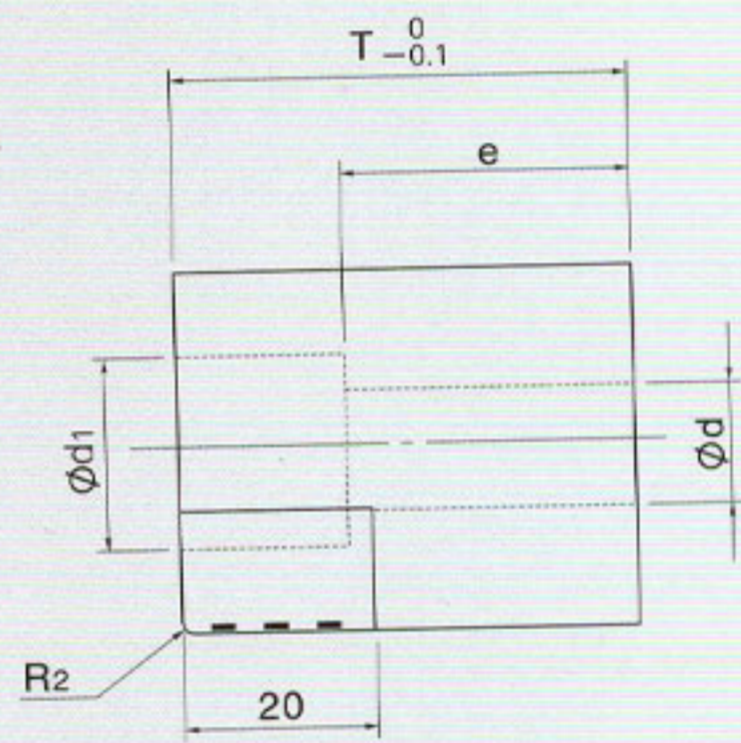
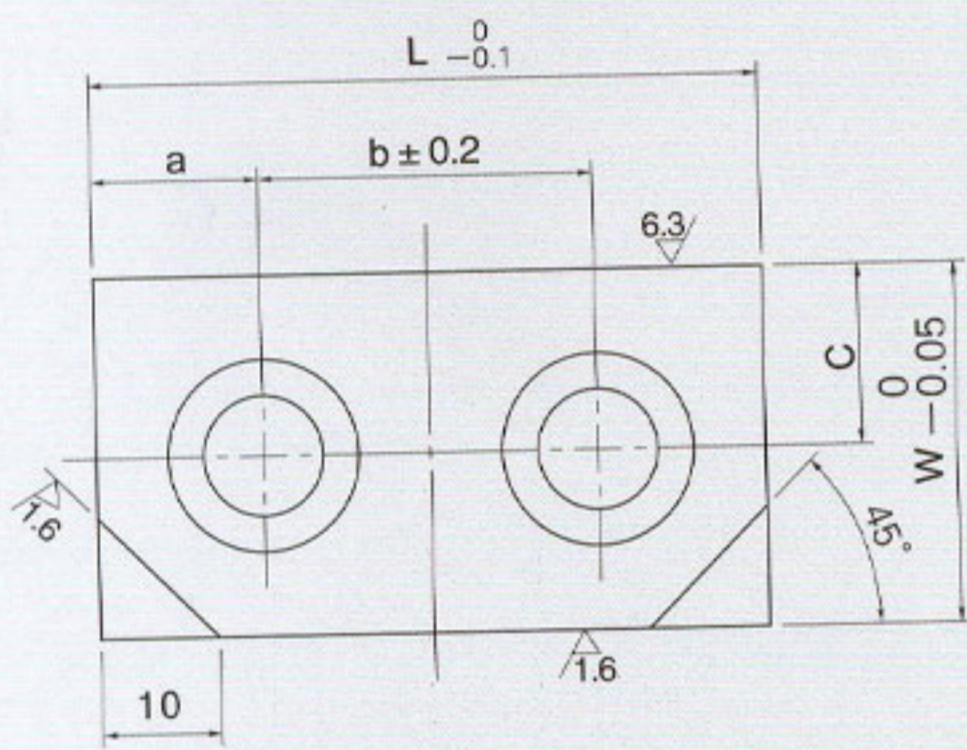
型号 TYPE	W	L	T	a	尺寸图 SKETCH	识别码 MARK
JSP-5C	50	110	25	-	A	QJ
		130	30			
		150	35			
	75	110	25	40	B	
		130	30			
		150	35			
	100	110	25	60	B	
		130	30			
		150	35			

订货方法: PURCHASE NO:	型号 TYPE JSP-5C	WXLXT 50×110×25	识别码 MARK QJ
-----------------------	-------------------	--------------------	----------------



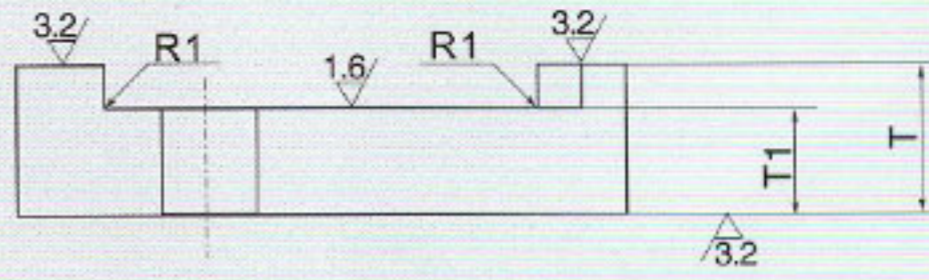
型号 TYPE	W	L	T	a	b	c	ϕd	ϕd_1	e	识别码 MARK
JSP-1	25	60	30	15	30	11	11	17.5	18	QS
	32	60	38			16	13	20	23	
		80		20	40					

订货方法: PURCHASE NO:	型号 TYPE	WXLXT	识别码 MARK
	JSP-1	25×60×30	QS

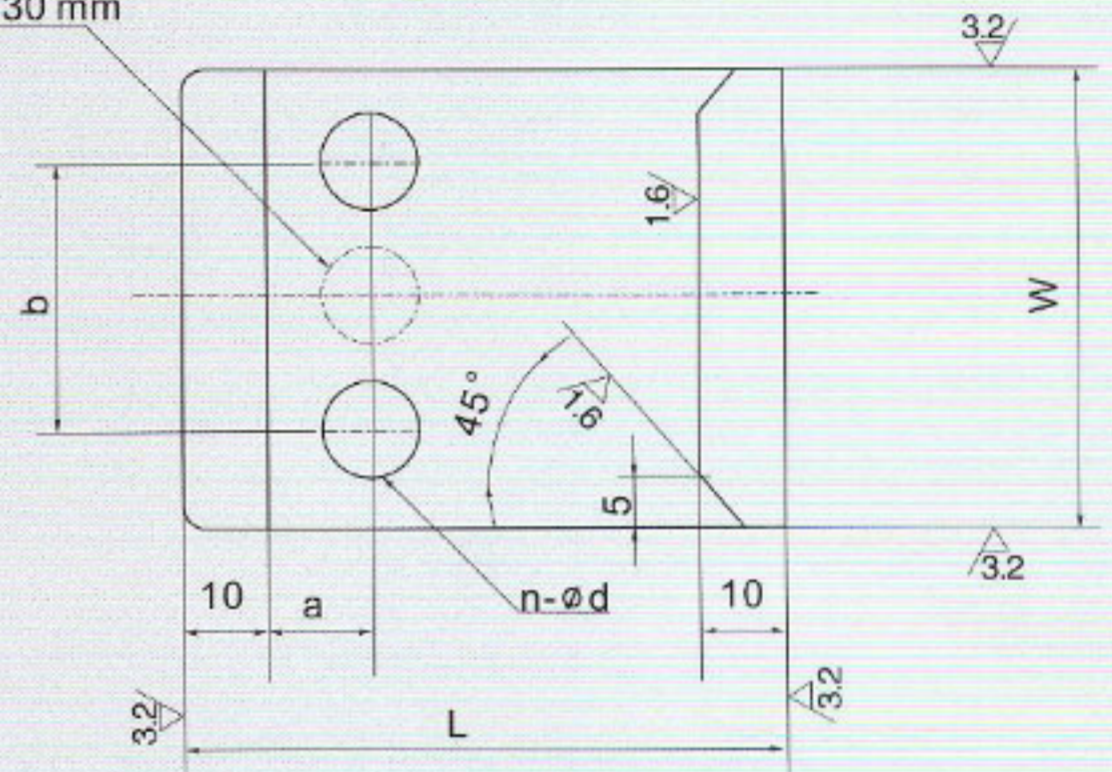


型号 TYPE	W	L	T	a	b	c	ϕd	$\phi d1$	e	识别码 MARK
JSP-1	25	60	30	15	30	11	11	17.5	18	QS
	32	60	38			16	13	20	23	
		80		20	40					

订货方法: PURCHASE NO:	型号 TYPE JSP-1	WXLXT 25x60x30	识别码 MARK QS
-----------------------	------------------	-------------------	----------------

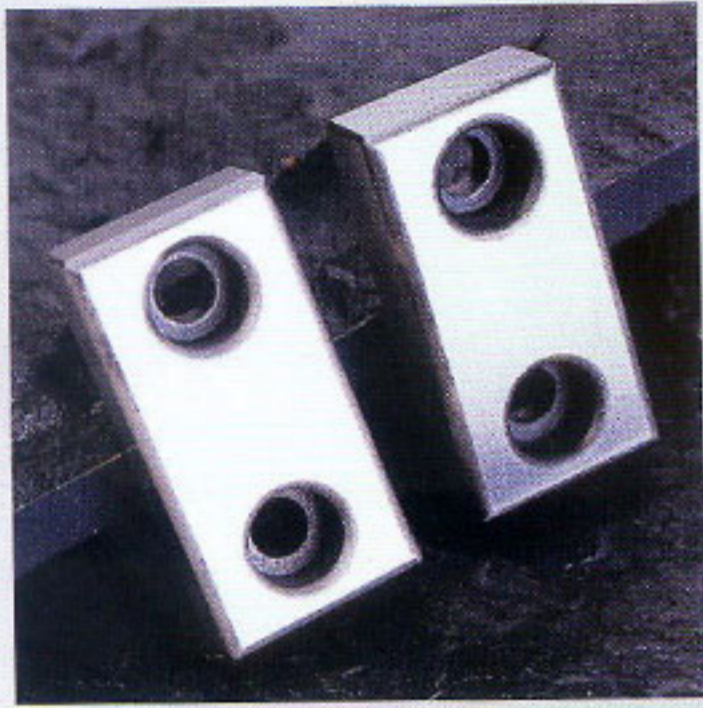


While wide is 30 mm

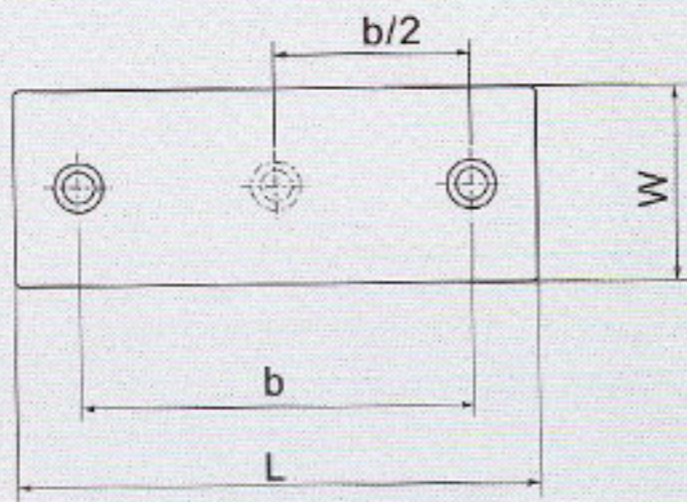


型号 TYPE	W	L	T	T1	a	b	Ød	n	识别码 MARK
JSP-5C	30	55	16	8	7.5	—	10	1	QL
		75							
	50	65	18	10	10	30	12	2	
		85							
		105							
	80	65	18	10	10	50	12	2	
85									
105									

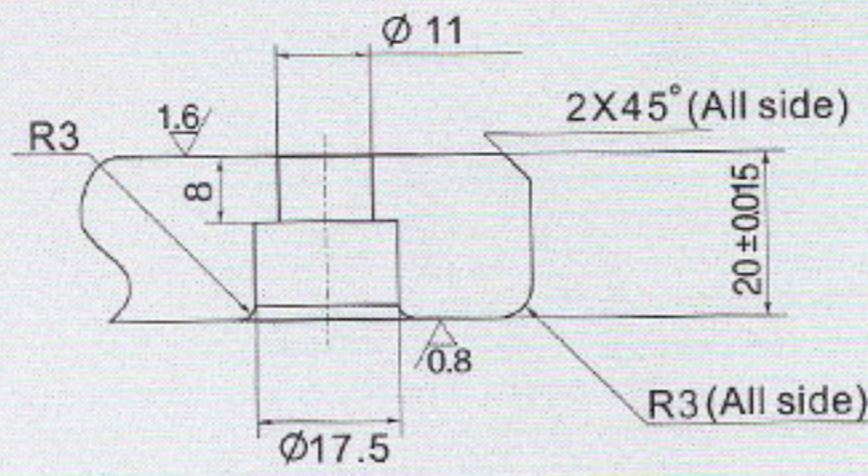
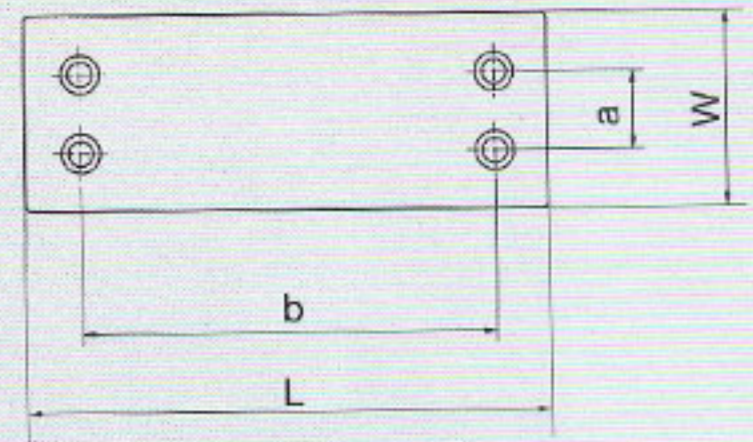
订货方法: PURCHASE NO:	型号 TYPE JSP-5C	WXLXT 30×55×16	识别码 MARK QL
-----------------------	-------------------	-------------------	----------------



A

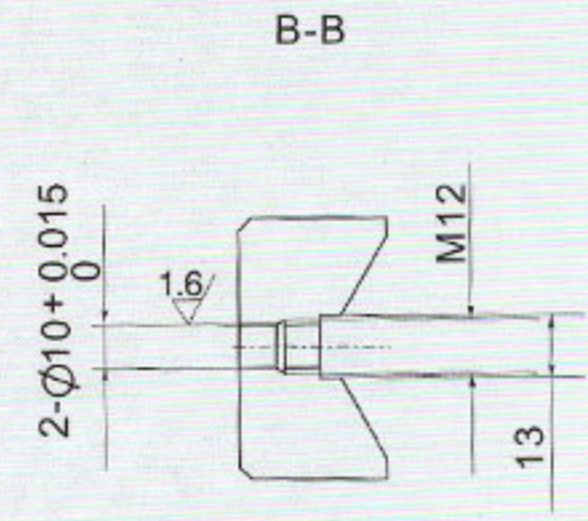
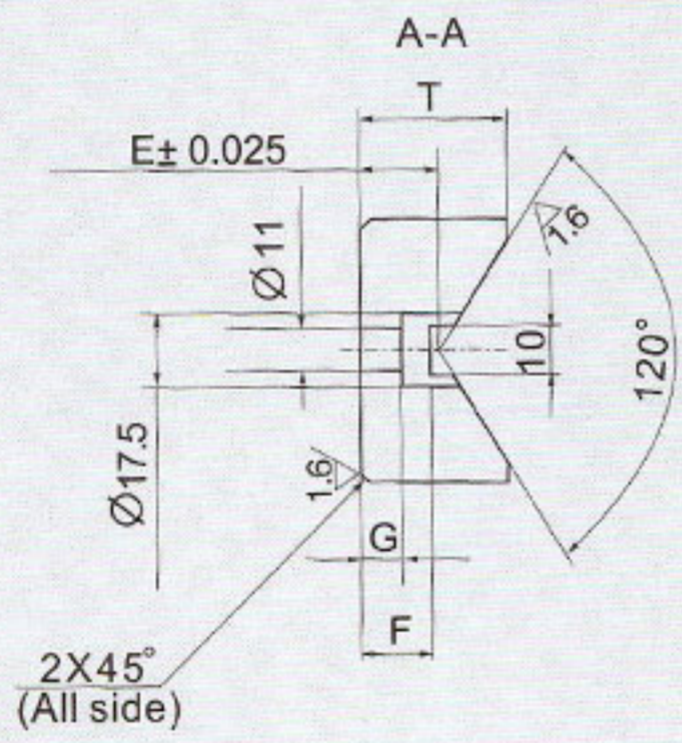
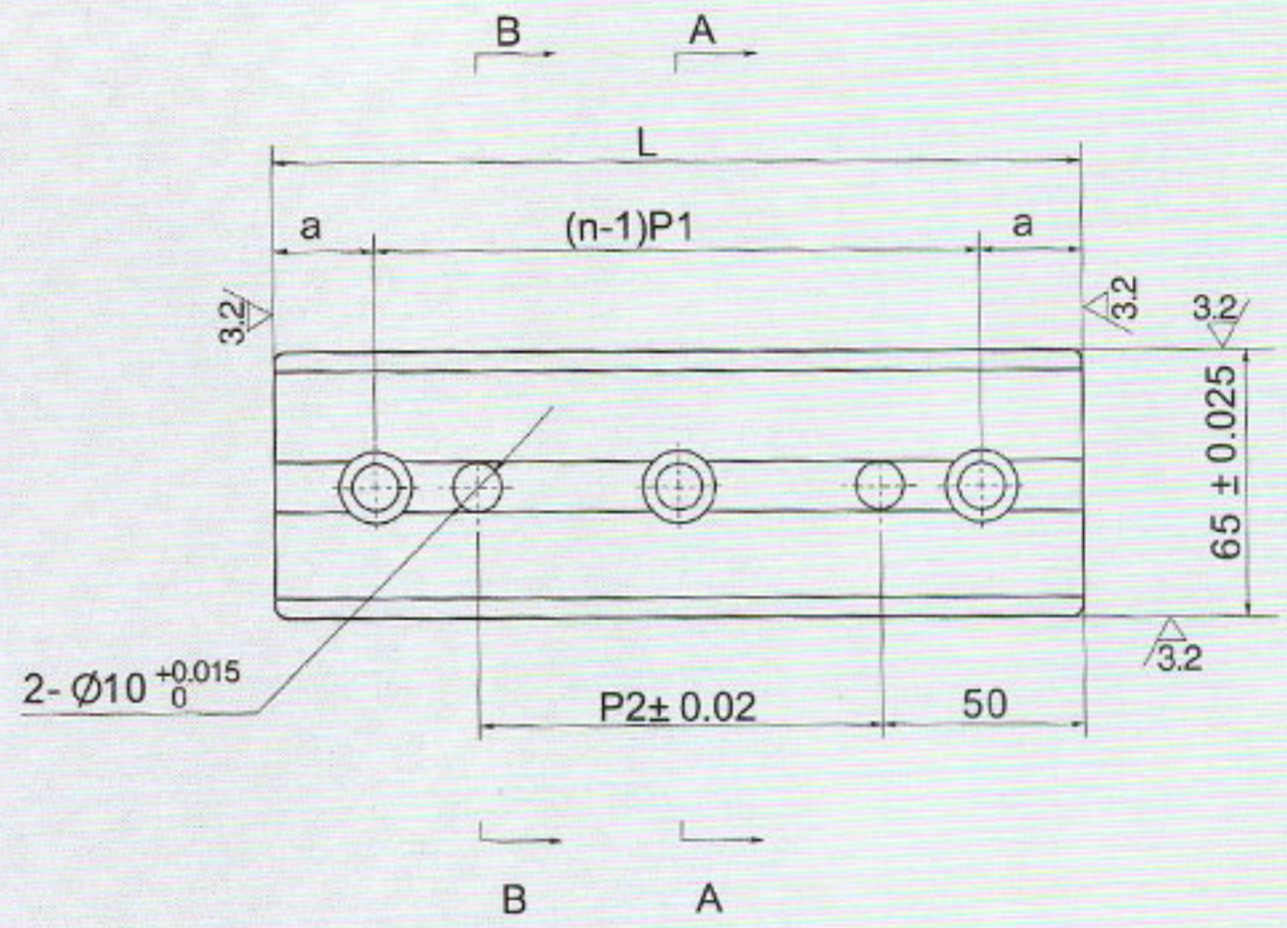
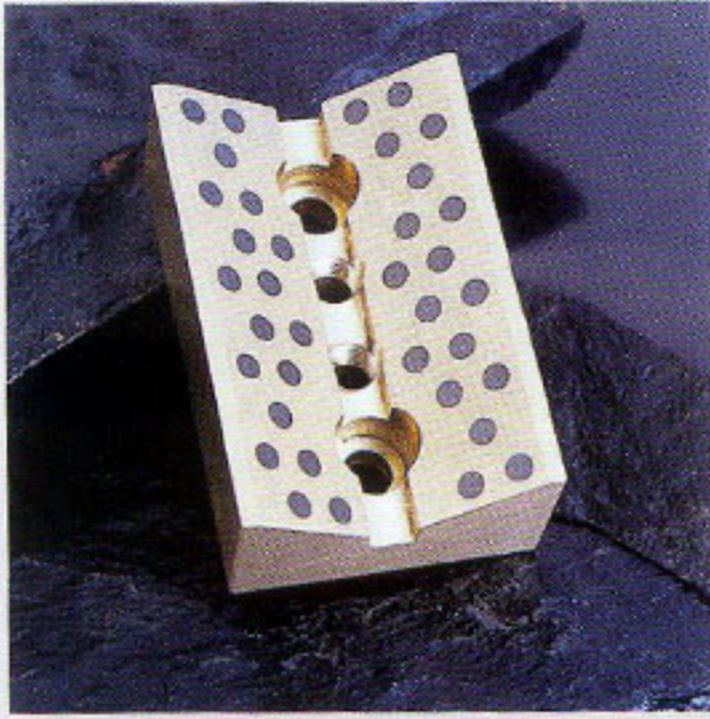


B



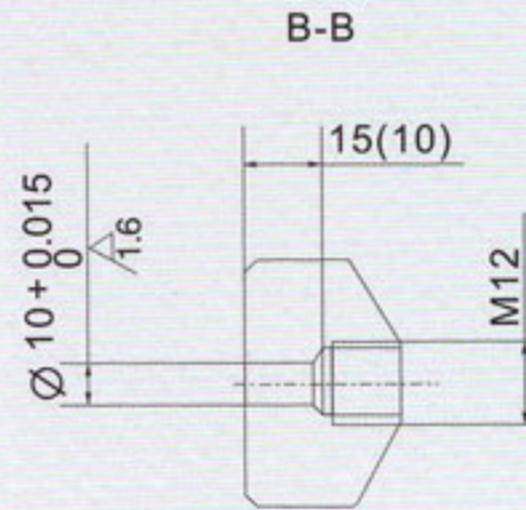
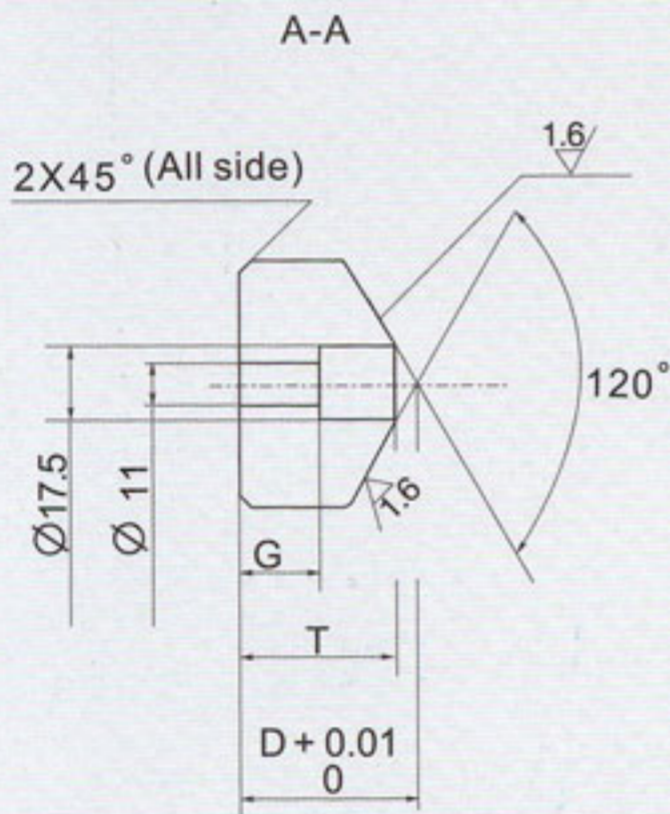
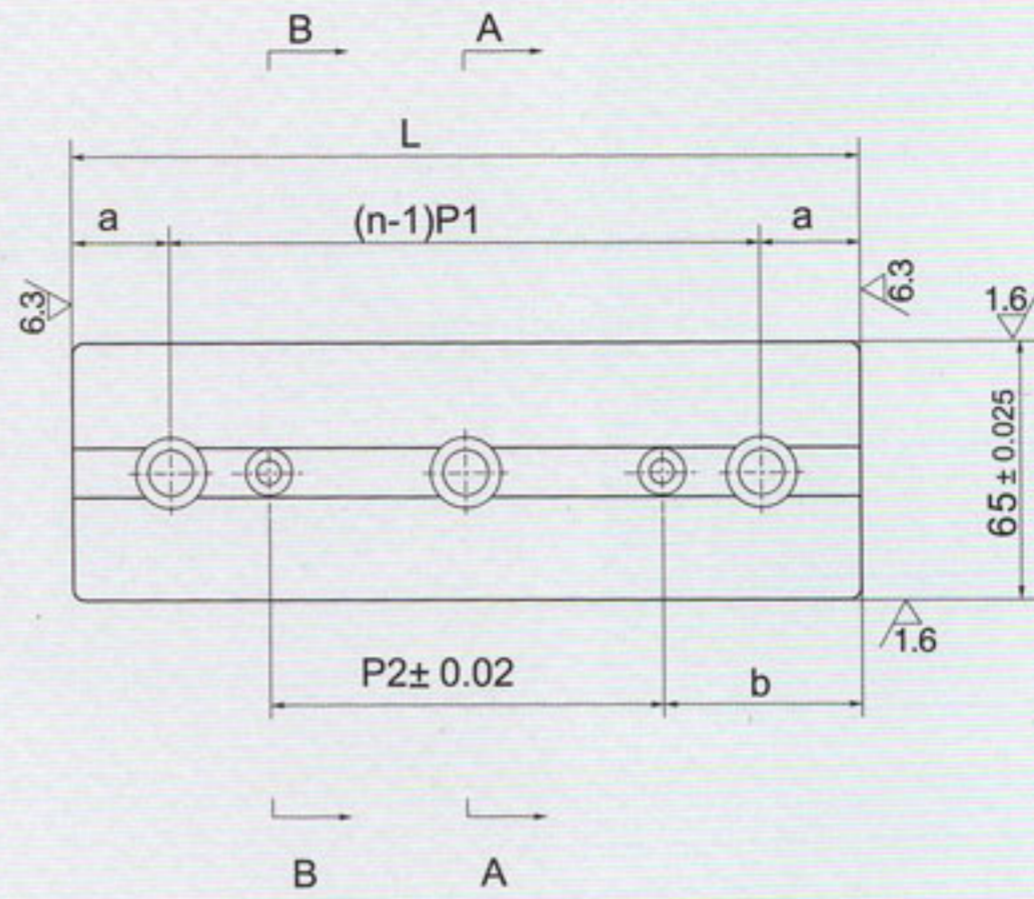
型号 TYPE	W	L	a	b	尺寸图 SKETCH	识别码 MARK
JSP-5C	38	75	—	45	A	QQ
		100		50		
		150		100		
	48	75	—	45		
		100		50		
		125		75		
		150		100		
		200		150		
	75	75	—	25		
		100		50		
		125		75		
		150		100		
		200		150		
	100	100	50	50		
		125		75		
		150		100		
		200		150		
		250		200		
	125	125	50	75		
		150		100		
200		150				
250		200				
150	150	100	100			
	200		150			
	250		200			
					B	

订货方法: PURCHASE NO:	型号 TYPE JSP-5C	WXLX20 38x75x20	识别码 MARK QQ
-----------------------	-------------------	--------------------	----------------



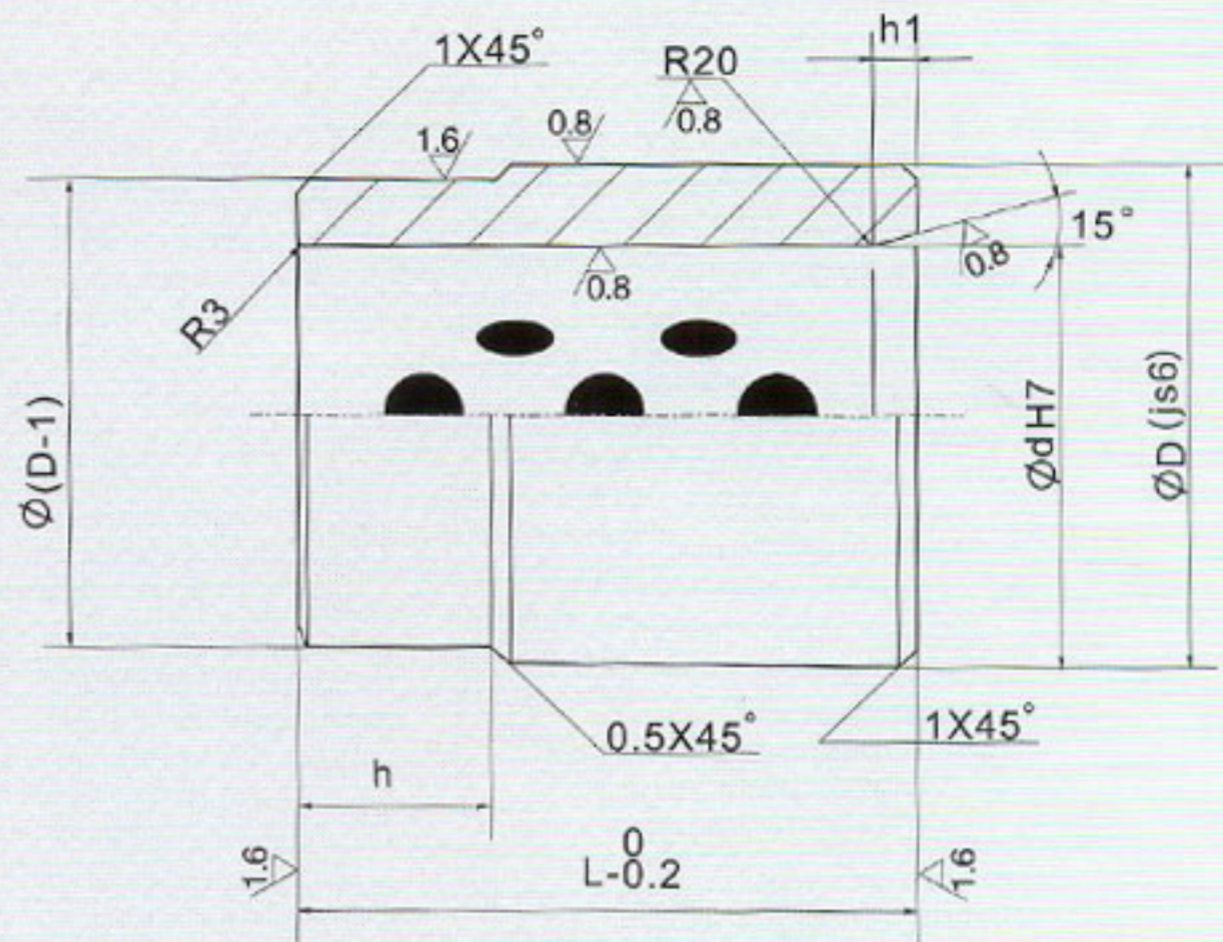
型号 TYPE	L	T	E	F	G	a	P1	n	b	P2	识别码 MARK
JSP-1	100	35	18	15	8	20	60	2	40	20	QM
	150					3	50				
	200					4	100				
	250					5	150				
	300					6	200				
	100	37	20	18	10	20	60	2	40	20	
	125					75	2	25			
	150					100	2	50			
	200					75	3	100			
	250					100	3	150			
	300					125	3	200			

订货方法: PURCHASE NO:	型号 TYPE JSP-1	65XLXT 65×100×35	识别码 MARK QM
-----------------------	------------------	---------------------	----------------



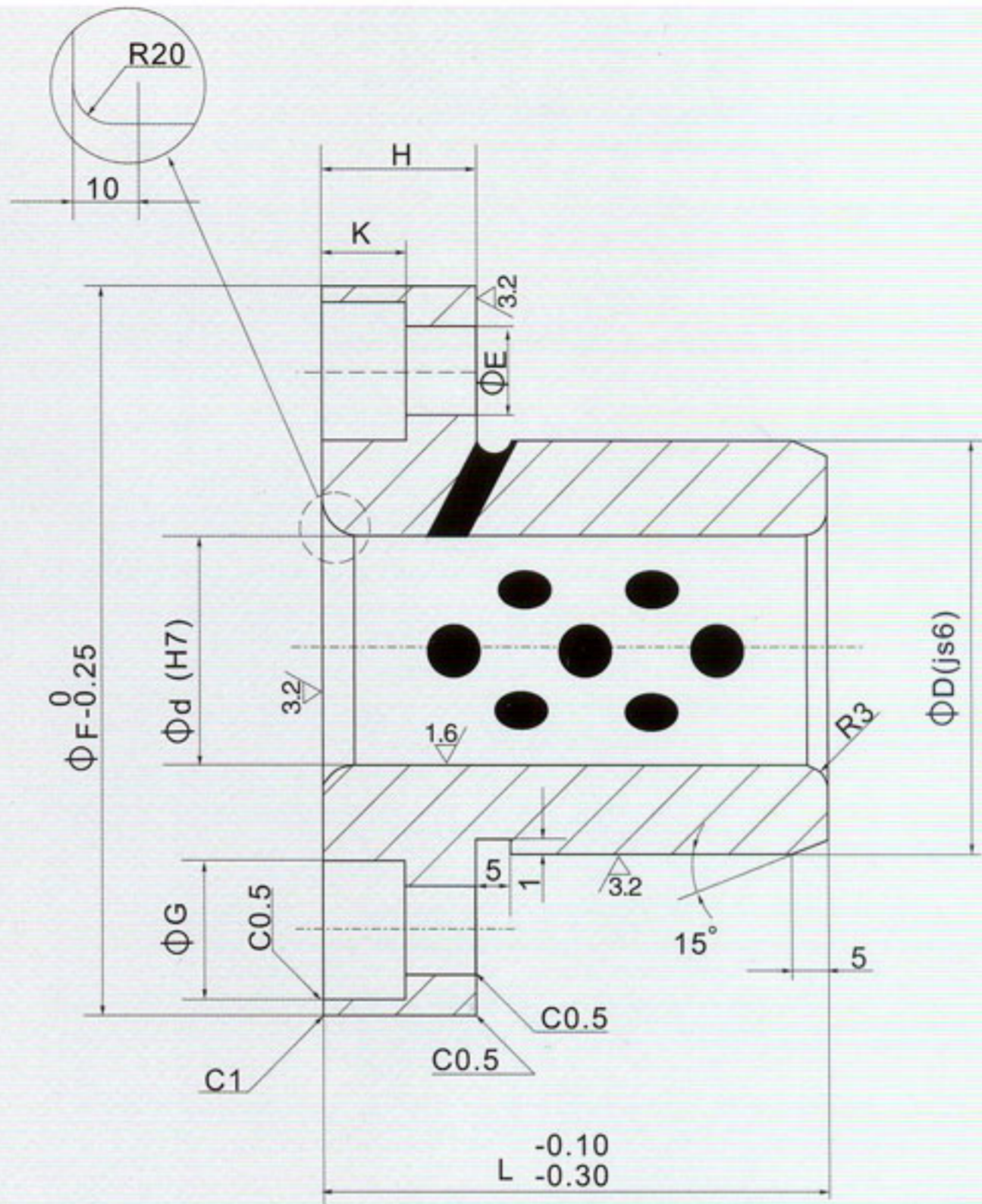
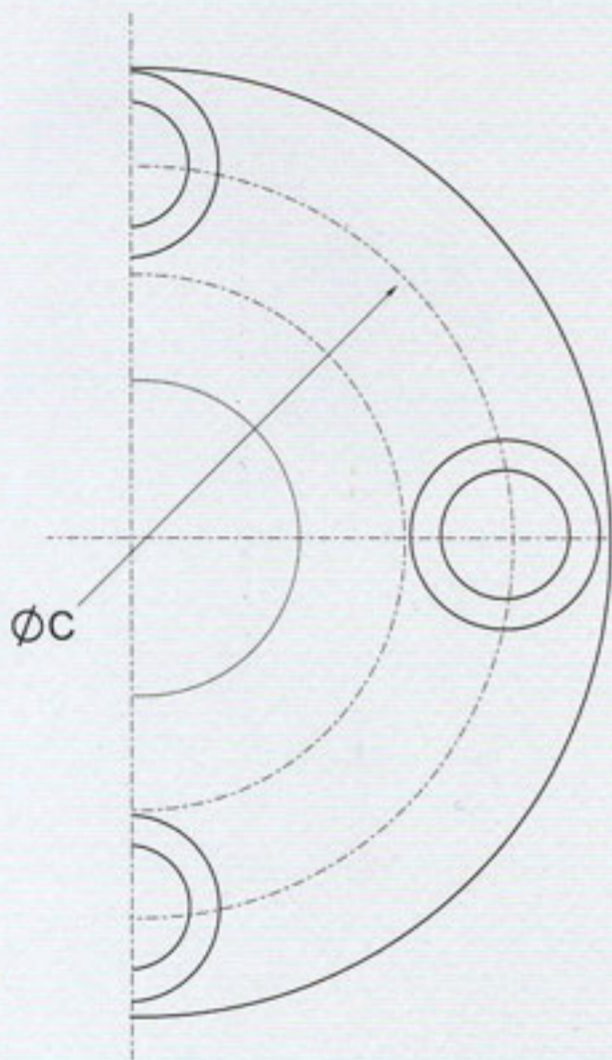
型号 TYPE	L	T	D	G	a	P1	n	b	P2	识别码 MARK
JSP-5C	100	44	47	20	20	60	2	40	20	QN
	150				3	50				
	200				4	100				
	250				5	150				
	300				6	200				
	100	26	30	10	20	60	2	40	20	
	125				75	2	25			
	150				100	2	50			
	200				75	3	100			
	250				100	3	150			
	300				125	3	200			

订货方法: PURCHASE NO:	型号 TYPE JSP-5C	65XLXT 65×100×44	识别码 MARK QN
-----------------------	-------------------	---------------------	----------------



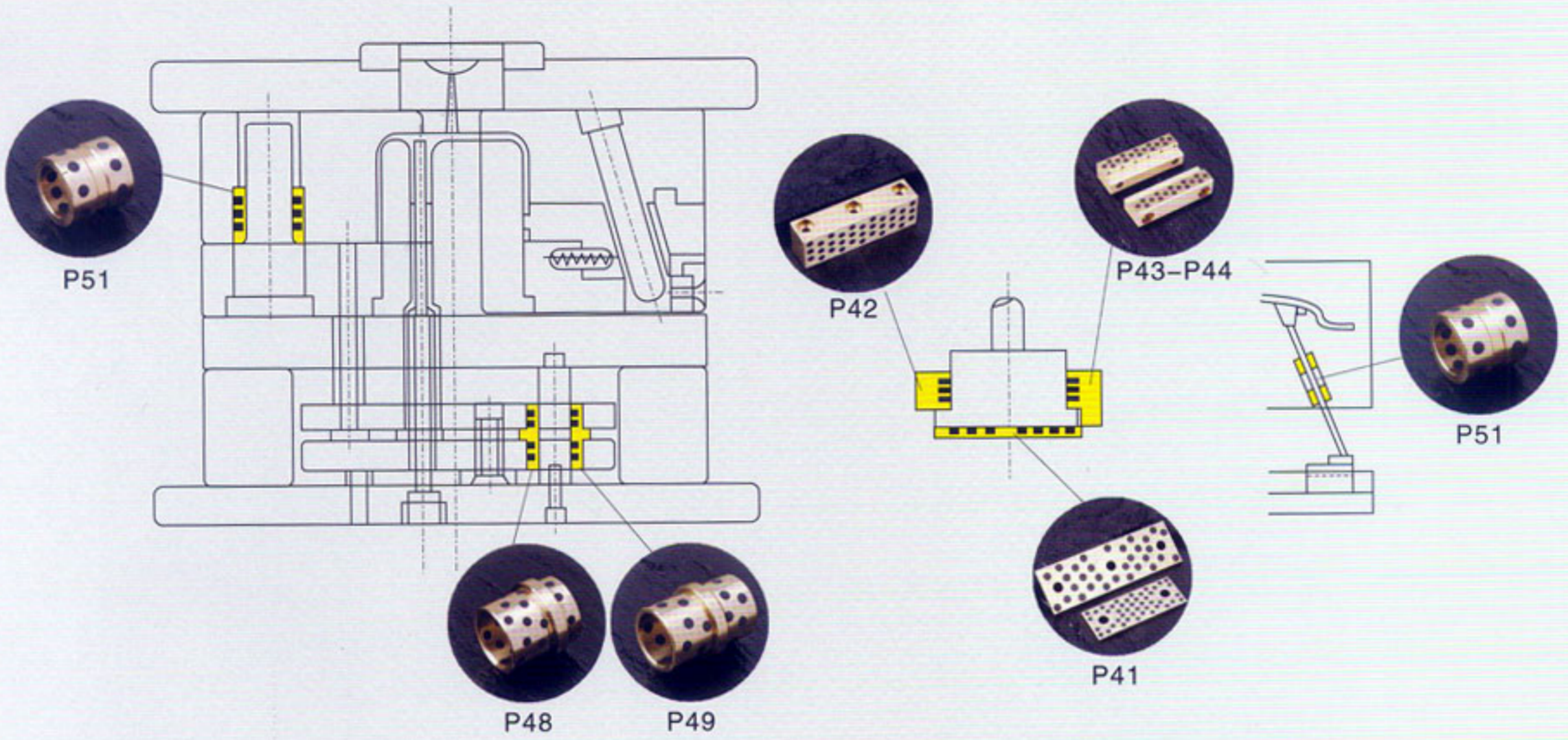
型号 TYPE	$\varnothing D$		$\varnothing d$		L	h	h1	识别码 MARK
JDB-1 JDB-4	50	± 0.008	30	$\begin{matrix} +0.021 \\ 0 \end{matrix}$	50	10	5	TB
	60	± 0.0095	35	$\begin{matrix} +0.025 \\ 0 \end{matrix}$	55	15		
	60		40		60	10		
	70		50		75	15		
	80		60		90	20		
	100	± 0.011	80	$\begin{matrix} +0.030 \\ 0 \end{matrix}$	120	25	10	
	120		100		150			
	140	± 0.0125	120	$\begin{matrix} +0.035 \\ 0 \end{matrix}$	180			

订货方法: PURCHASE NO:	型号 TYPE JDB-1	DXdXL 50x30x50	识别码 MARK TB
-----------------------	------------------	-------------------	----------------

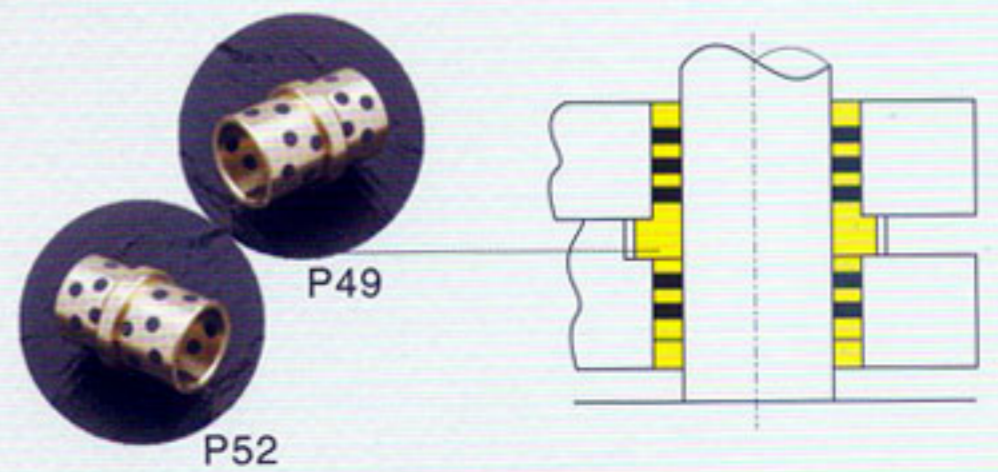
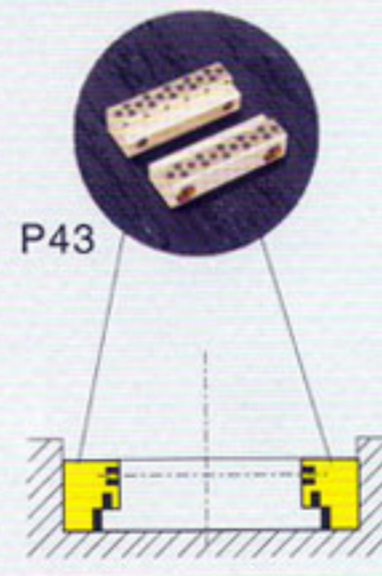
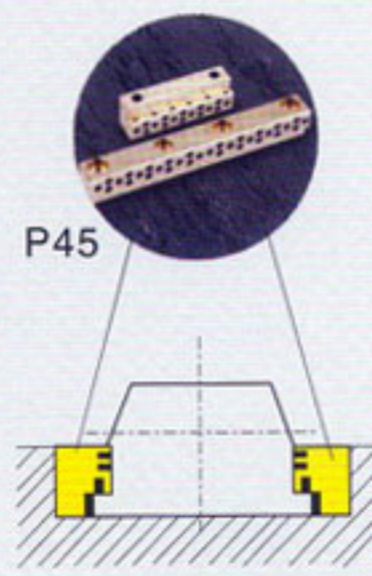
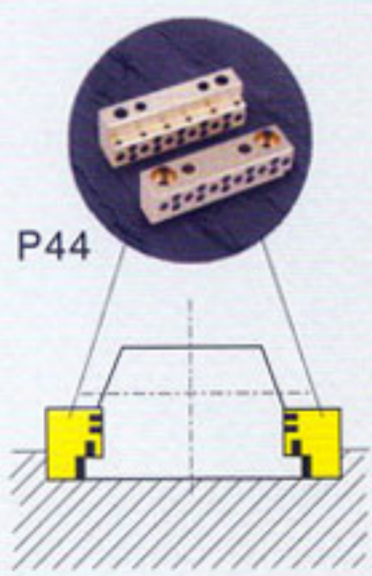


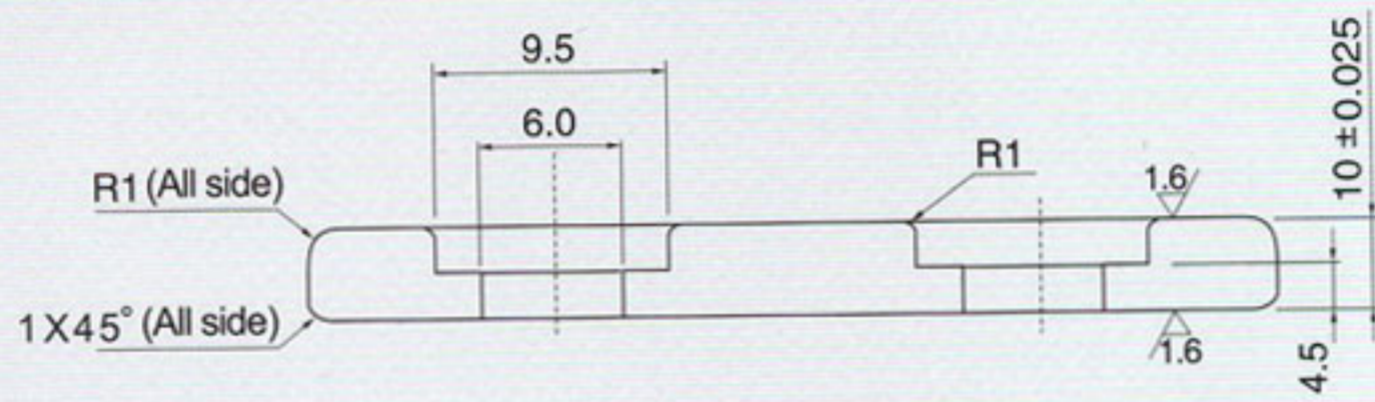
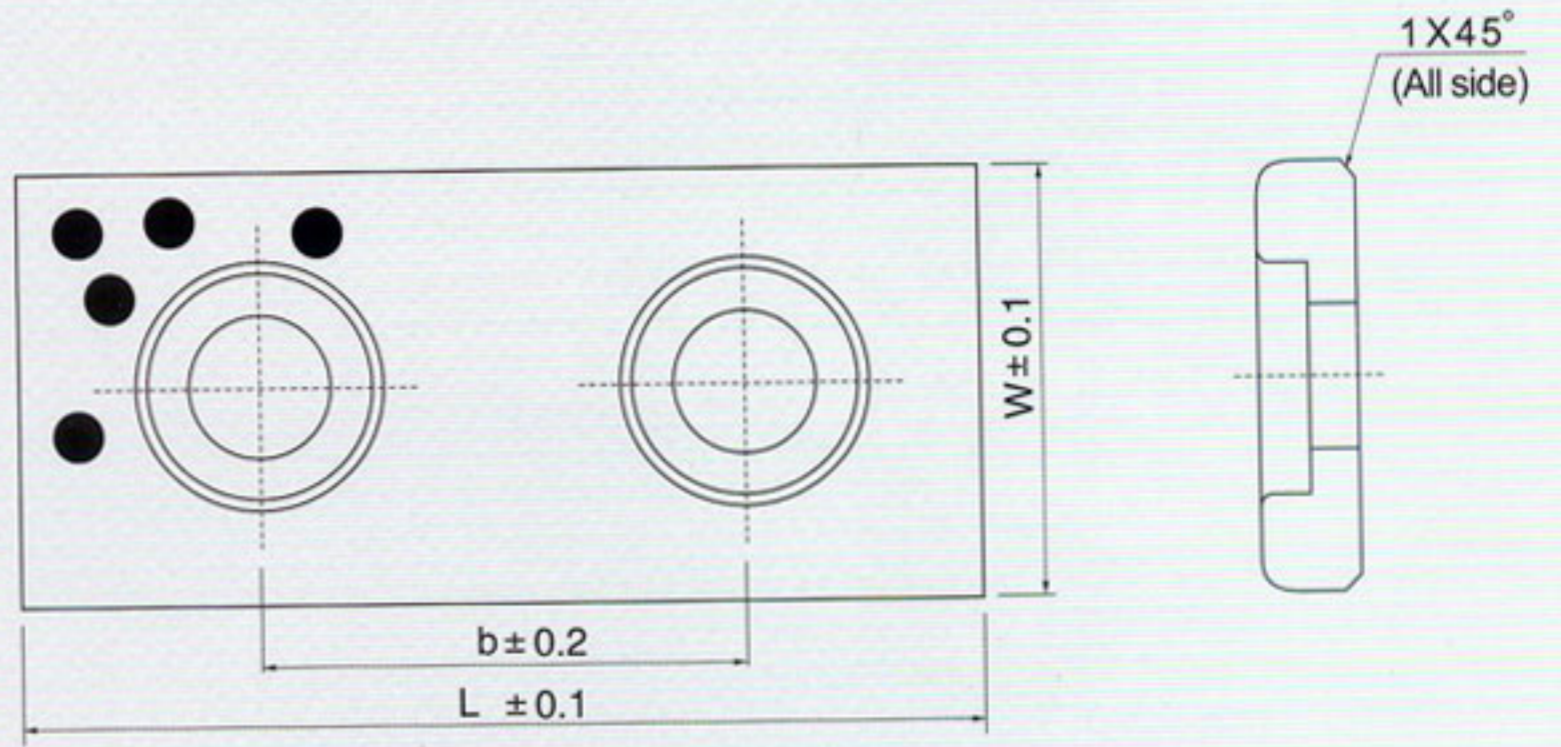
型号 TYPE	ϕF	ϕD	ϕd	L	H	ϕC	ϕE	ϕG	K	识别码 MARK
JDB-4	90	50	30	50	20	70	11	17.5	10.8	TA
	100	60	40	65	20	80	11	17.5	10.8	
	125	75	50	80	20	100	11	17.5	10.8	
	135	85	60	100	20	110	11	17.5	10.8	
	170	110	80	130	25	140	14	20	13	
	190	130	100	160	25	160	14	20	13	

订货方法: PURCHASE NO:	型号 TYPE JDB-4	F/DXdXL/H 90/50x30x50/20	识别码 MARK TA
-----------------------	------------------	-----------------------------	----------------



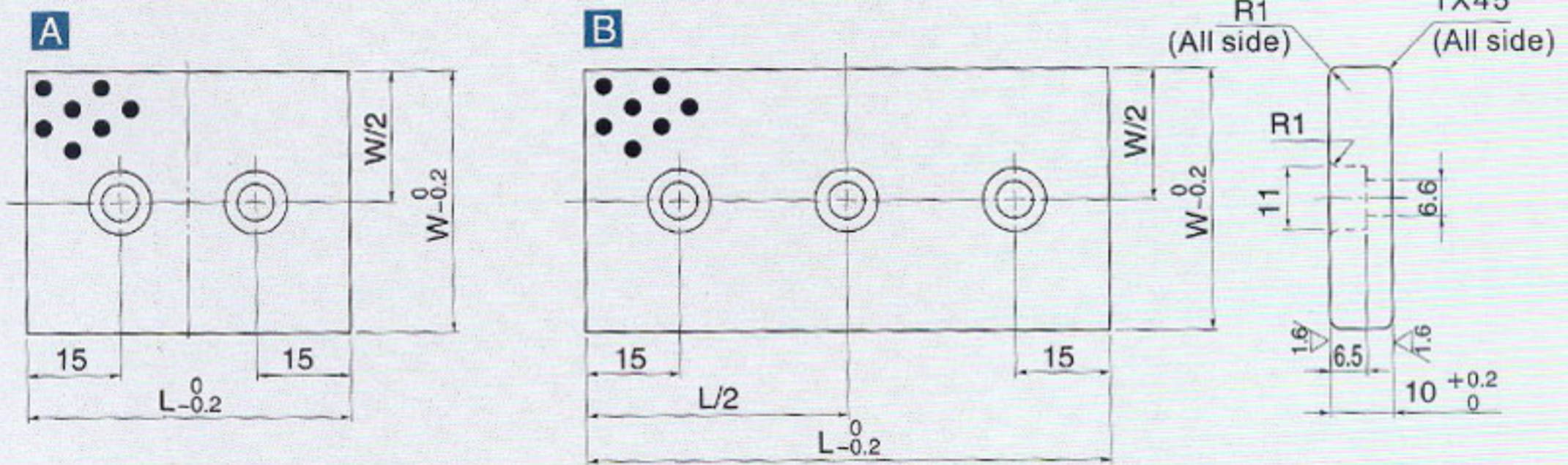
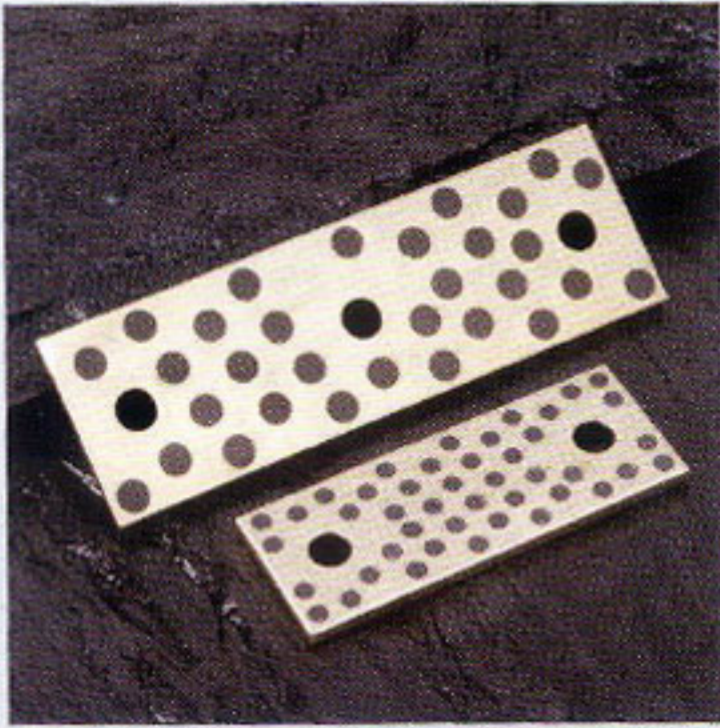
使用范例 Application example





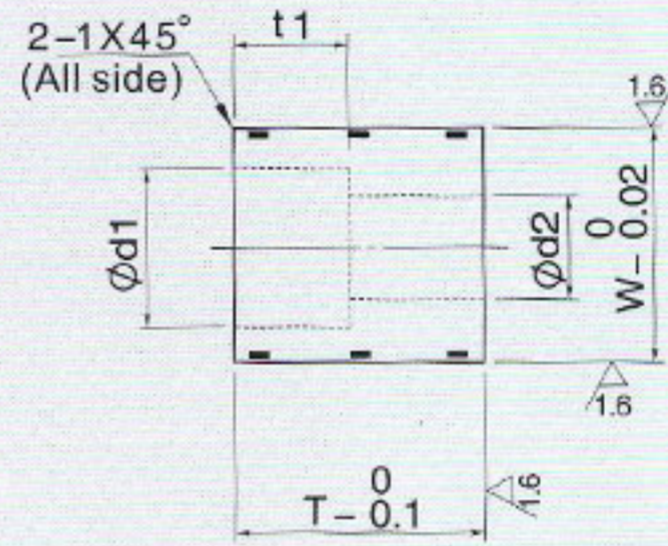
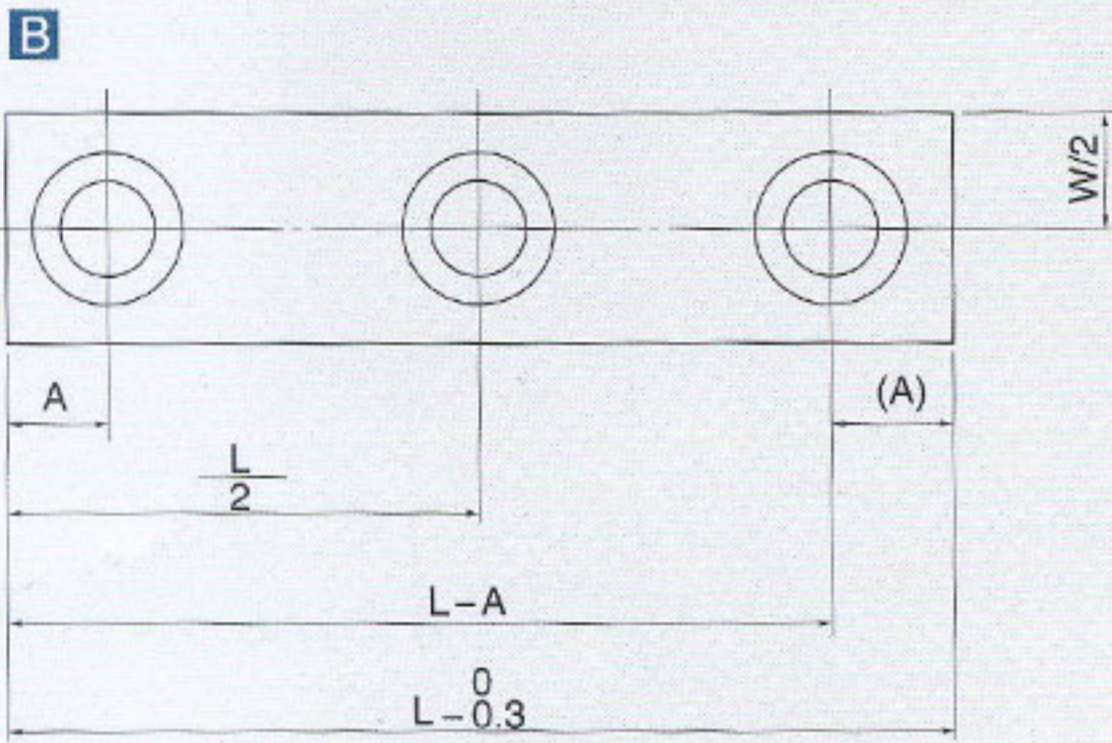
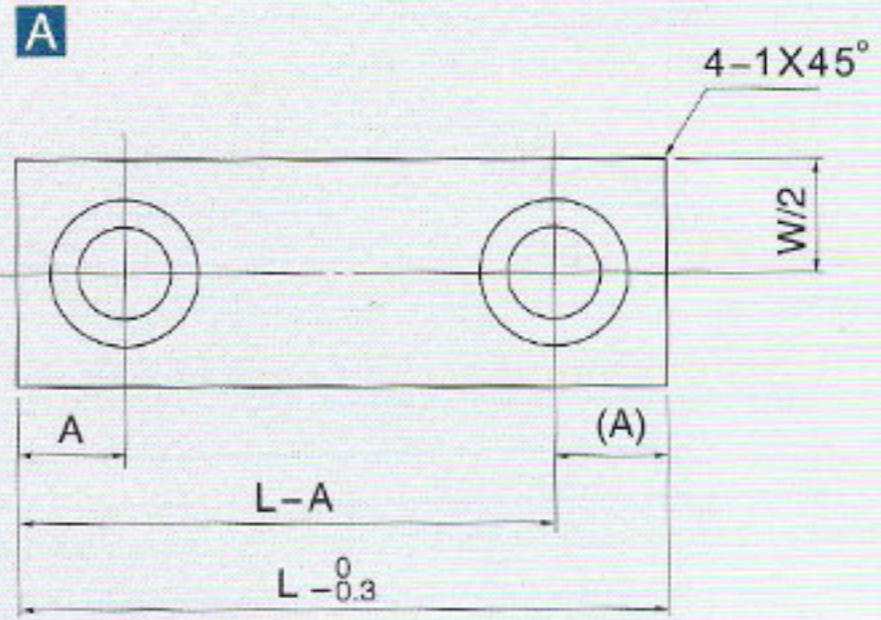
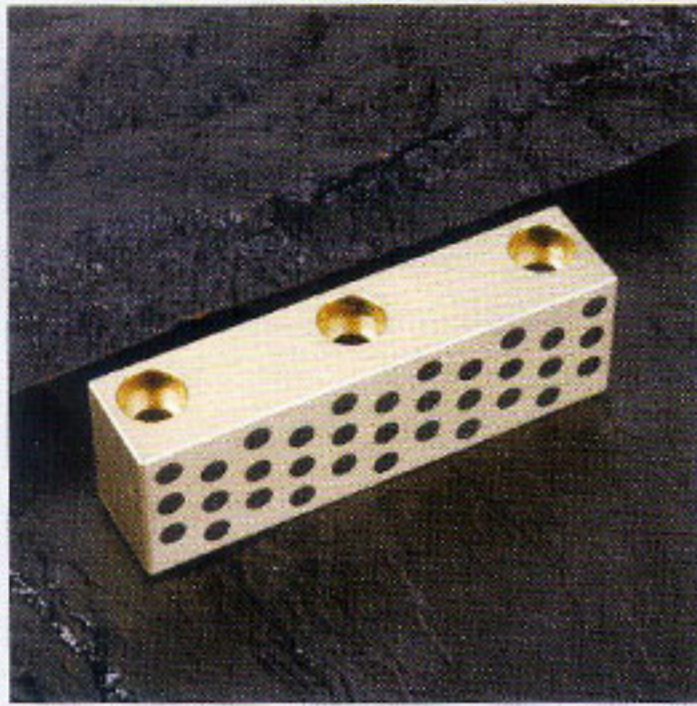
型号 TYPE	W	L	b	识别码 MARK
JSP-1	15	30	14	BG
		40	20	
		50	30	
		75	50	
	18	30	14	
		40	20	
		50	30	
		75	50	
	22	30	14	
		40	20	
		50	30	
		75	50	

订货方法: PURCHASE NO:	型号TYPE JSP-1	WXLX10 15×30×10	识别码MARK BG
-----------------------	-----------------	--------------------	---------------



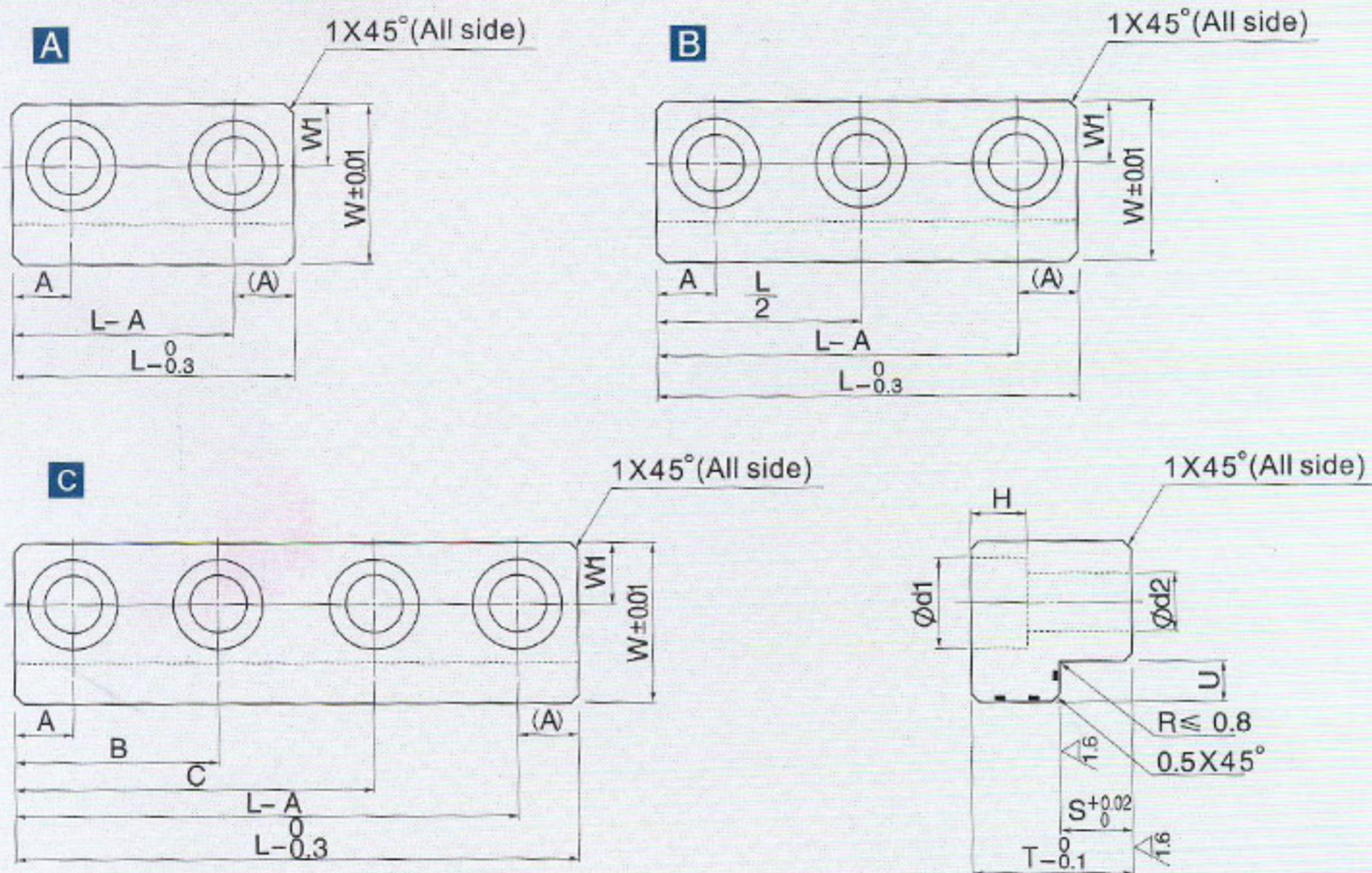
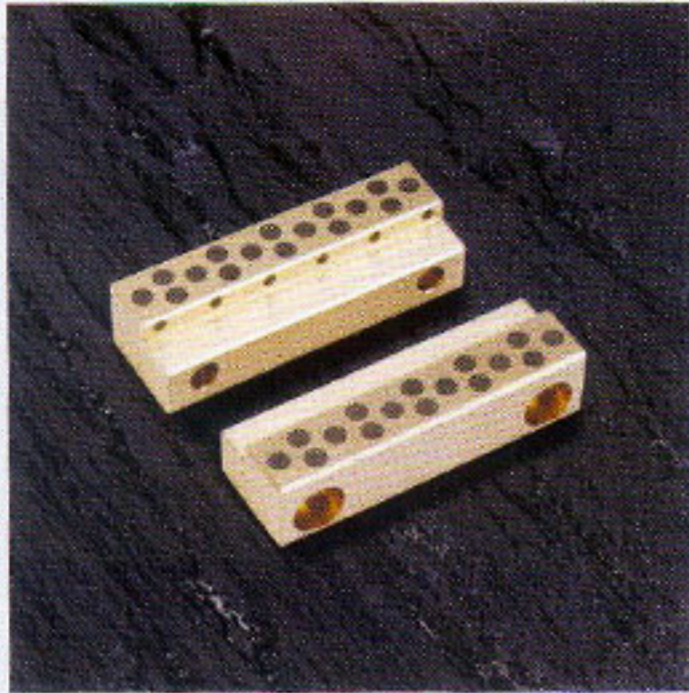
型号 TYPE	W	L	尺寸图 SKETCH	识别码 MARK
JSP-1	30	50	A	BF
	40			
	30			
	40	70		
	50			
	30	80		
	40			
	50			
	60			
	40		100	
	50			
	60			
	40	120		
	50			
60				

订货方法: PURCHASE NO:	型号 TYPE JSP-1	WXLX10 30x50x10	识别码 MARK BF
-----------------------	------------------	--------------------	----------------



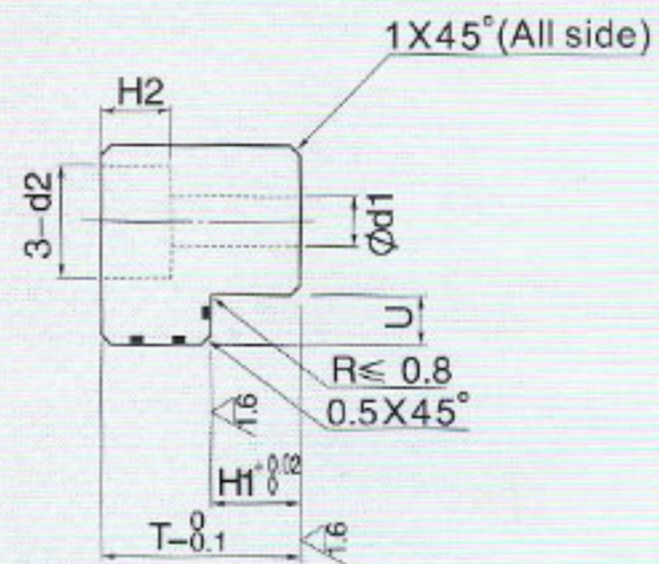
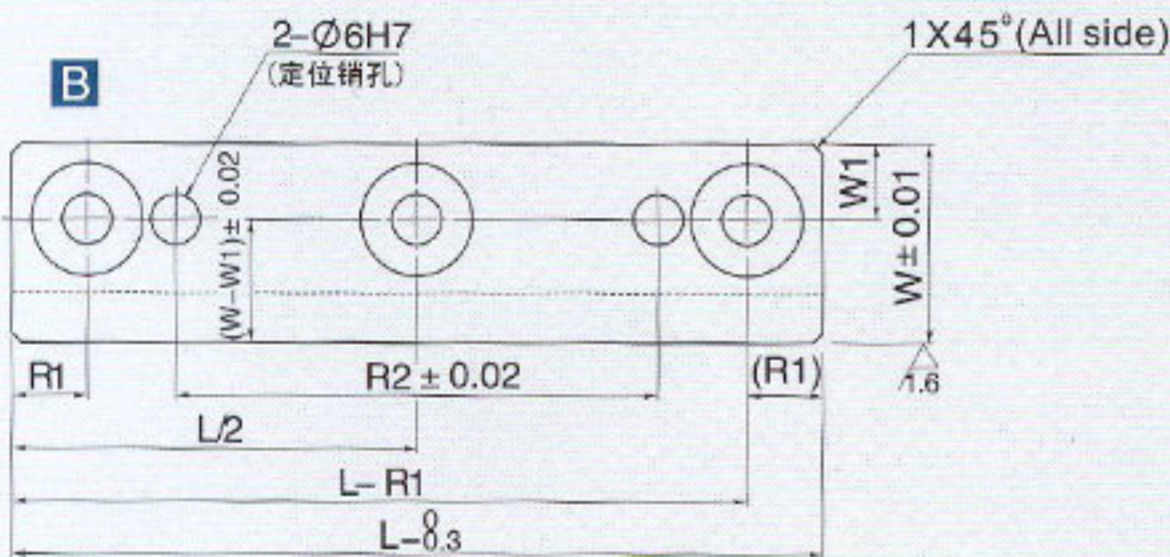
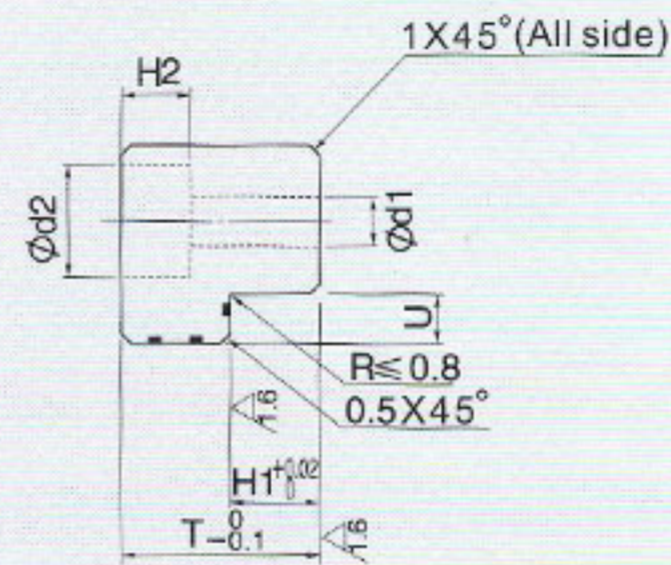
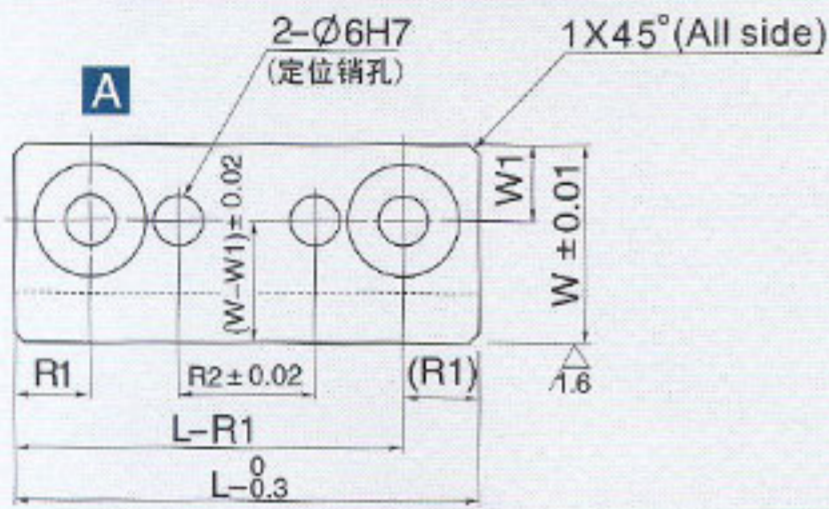
型号 TYPE	W	L	T	A	d1	d2	t1	尺寸图 SKETCH	识别码 MARK
JSP-1	15	40, 50, 60	15	7.5	9.5	5.5	6	A	GD
		70, 80, 90, 100						B	
	20	40, 50, 60, 70, 80, 90	15	10	11	6.5	7	A	
		100, 110						B	
		120, 130, 140, 150	20						

订货方法: PURCHASE NO:	型号 TYPE JSP-1	WXLXT 15x40x15	识别码 MARK GD
-----------------------	------------------	-------------------	----------------



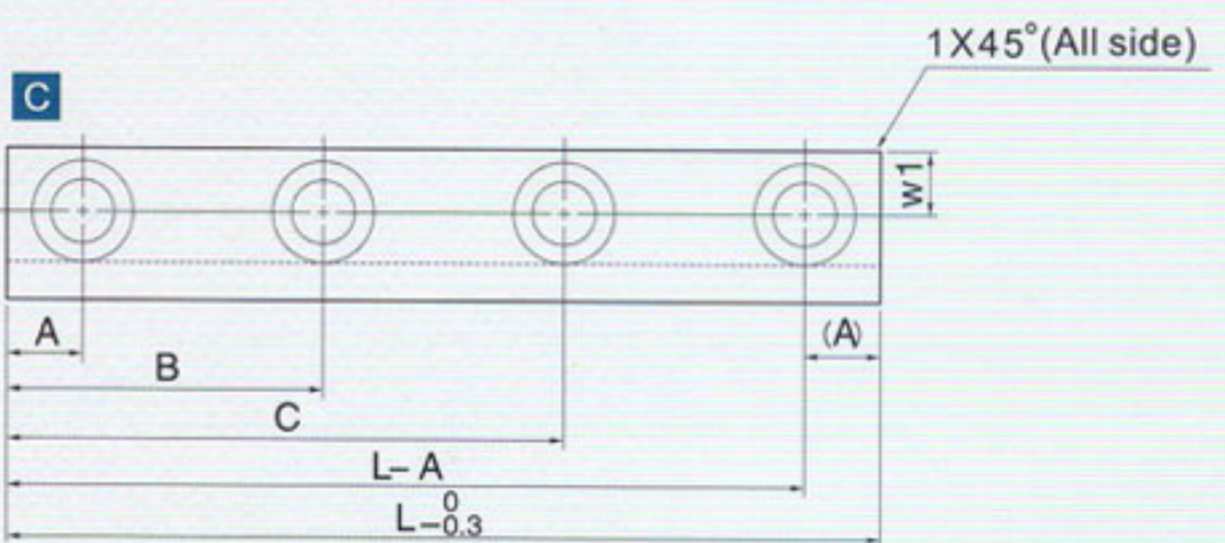
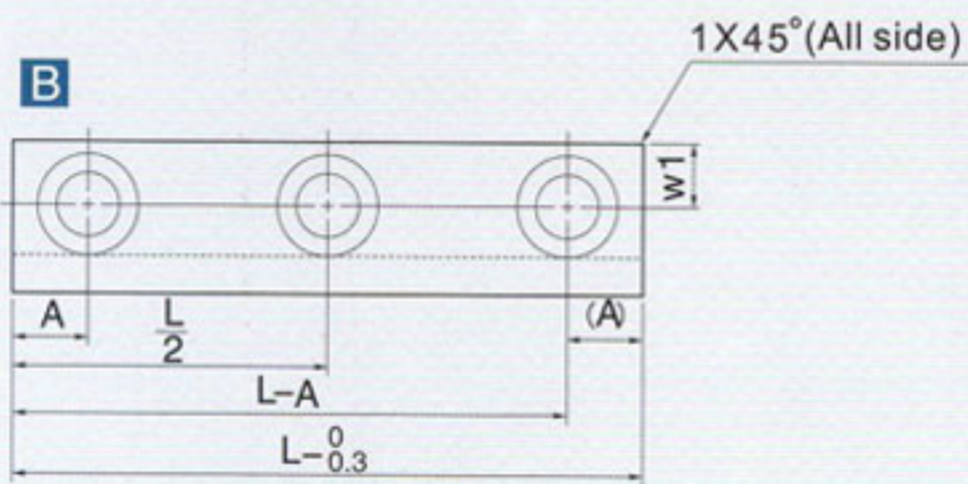
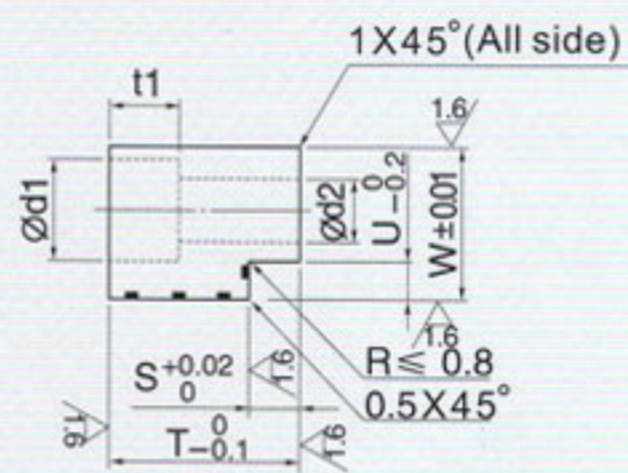
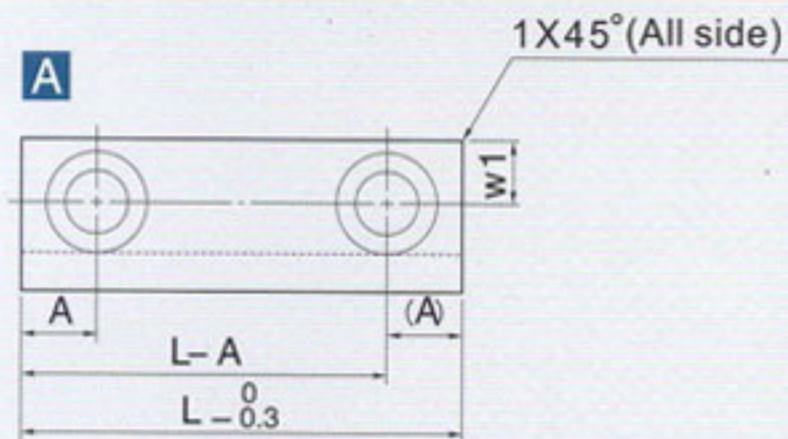
型号 TYPE	W	L	T	W1	d1	d2	H	尺寸图 SKETCH	A	B	C	S	U	识别码 MARK	
JSP-1	23	80	30	7.5	11	7	7	A	20	-	-	15	8	GF	
		100								-	-				
		120								-	-				
		140								-	-				
		160								-	-				
		180								-	-				
		200								-	-				
	28	35	10	14	9	9	9	B	20	-	-	15	8	GF	
										120	-				-
										140	-				-
										160	-				-
										180	-				-
										200	-				-
										220	-				-
23	30	7.5	11	7	7	7	C	20	70	130	15	8	GF		
									80	140					
28	35	10	14	9	9	9	C	20	70	130	15	8	GF		
									80	140					

订货方法: PURCHASE NO:	型号 TYPE JSP-1	WXLXT 23x80x30	识别码 MARK GF
-----------------------	------------------	-------------------	----------------



型号 TYPE	W	L	T	W1	R1	R2	d1	d2	H1	H2	尺寸图 SKETCH	U	识别码 MARK
JSP-1	15	60	15	6	7.5	20	5.5	9.5	8	6	A	5.5	GA
		80				40					B		
		100				50					B		
		120				75					B		
	20	80	20	8	10	35	9	14	10	9	A		
		100				50					B		
		120				75					B		
		140				90					B		
	25	80	25	9	10	35	9	14	10	9	A		
		100				50					B		
		120				75					B		
		140				90					B		
		160			120								

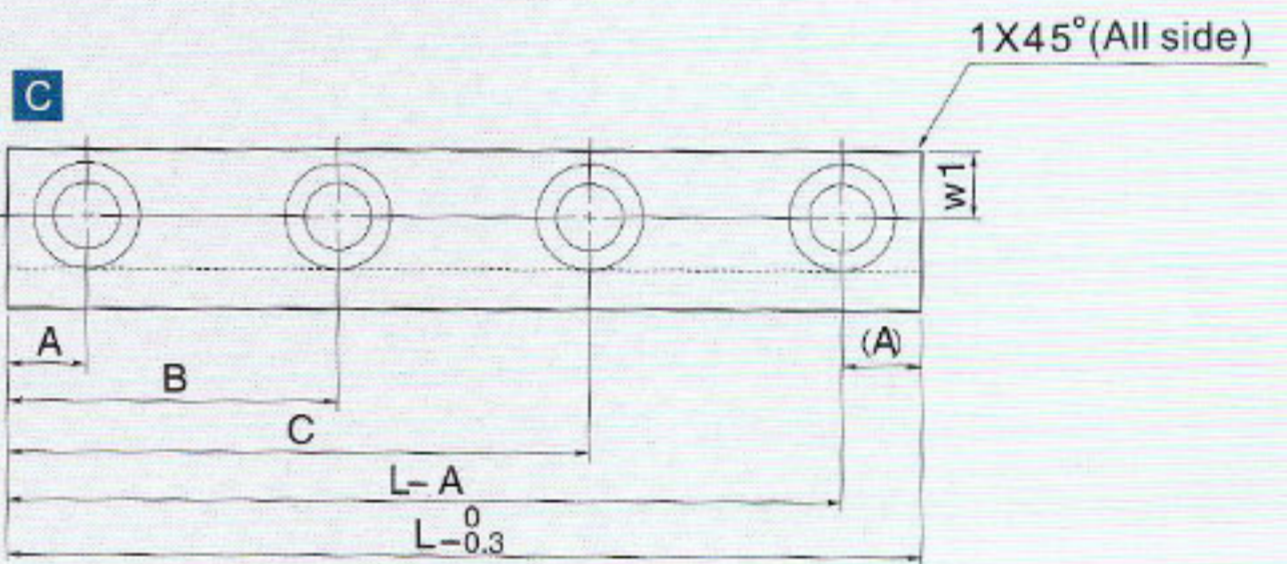
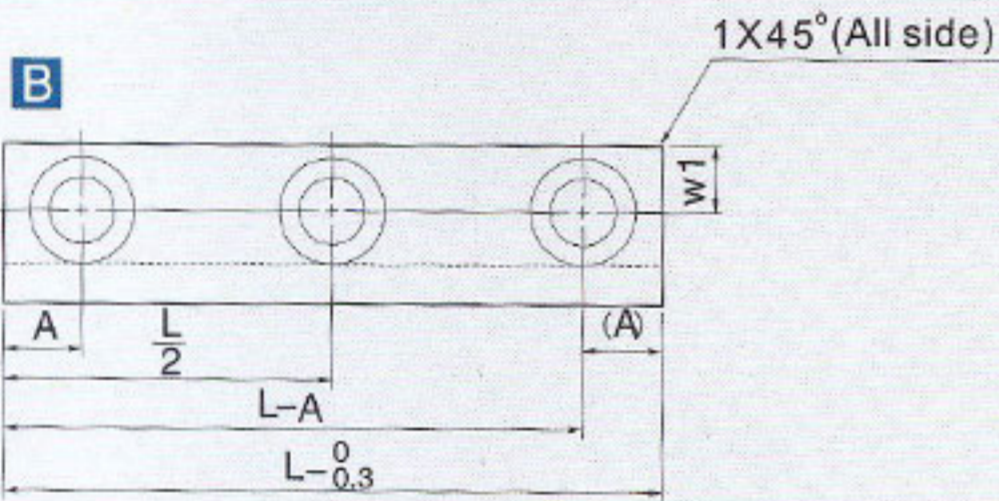
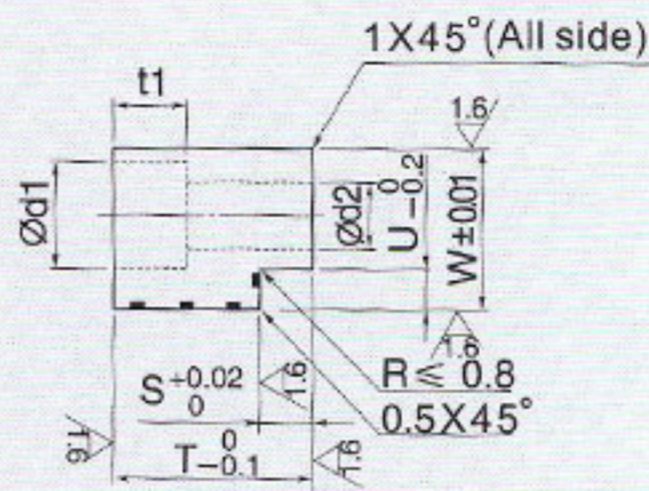
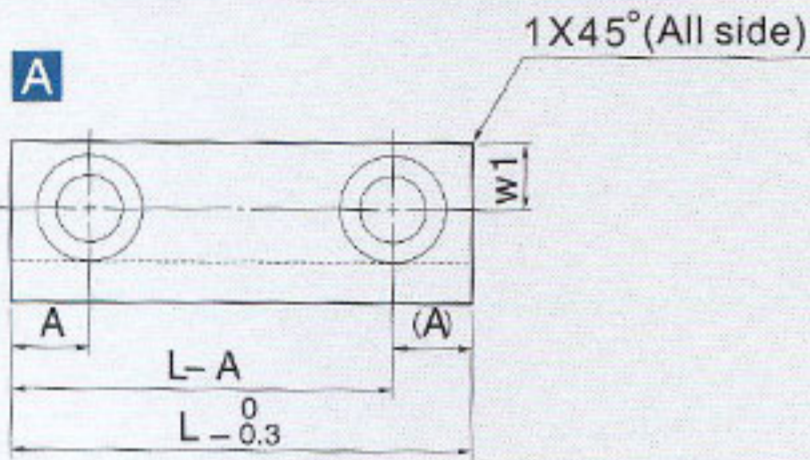
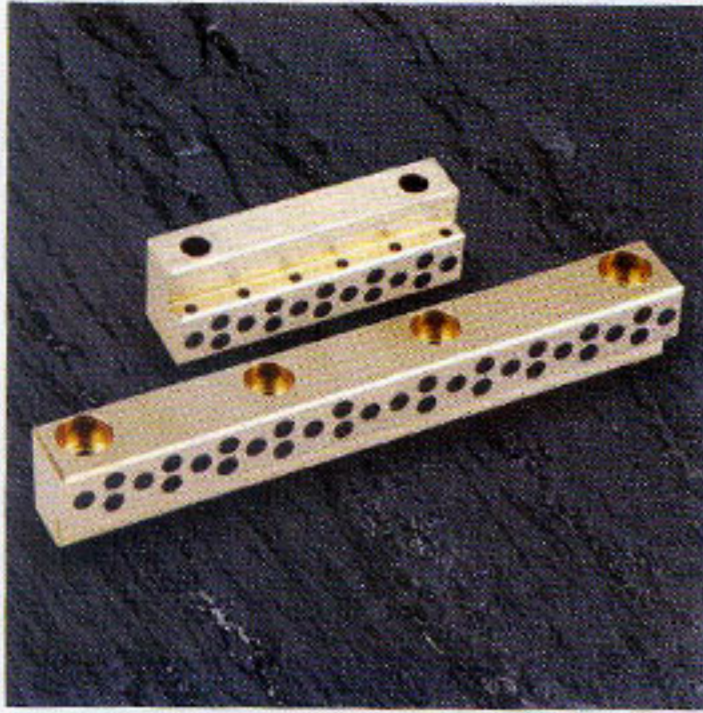
订货方法: PURCHASE NO:	型号 TYPE JSP-1	WXLXT 15×60×15	识别码 MARK GA
-----------------------	------------------	-------------------	----------------



型号 TYPE	W	L	T	尺寸图 SKETCH	A	B	C	d1	d2	t1	w1	s	u	识别码 MARK		
JSP-1	12.5	40	15 20	A	7.5	-	-	8	4.5	5	5	8	4.5	GB		
		50, 60, 70		B		-	-									
		80		C		30	50									
		90				32.5	57.5									
		100				35	65									
	15	40, 50, 60	15 20 25	A	7.5	-	-	9.5	5.5	6	6	8	4.5			
		70, 80, 90, 100, 110		B												
		120		C											40	90
		130		45											95	
		140		53											97	
		150		55											105	
		160	30												60	120
		180													70	130
	200															
	20	40, 50, 60, 70, 80, 90	15 20 25 30	A	10	-	-	11	6.5	7	9	8	4.5			
		100, 110		B												
		120, 130, 140, 150	15 20 25 30 35	C											55	105
		160													60	120
		180													70	130
	200															
25	40, 50, 60, 70, 80, 90	20 25 30	A	10	-	-	14	9	9	10	8	4.5				
	100, 110, 120, 130, 140, 150		B													
	160		C										55	105		
	180												60	120		
	200												70	130		

*: T=15,20时的尺寸

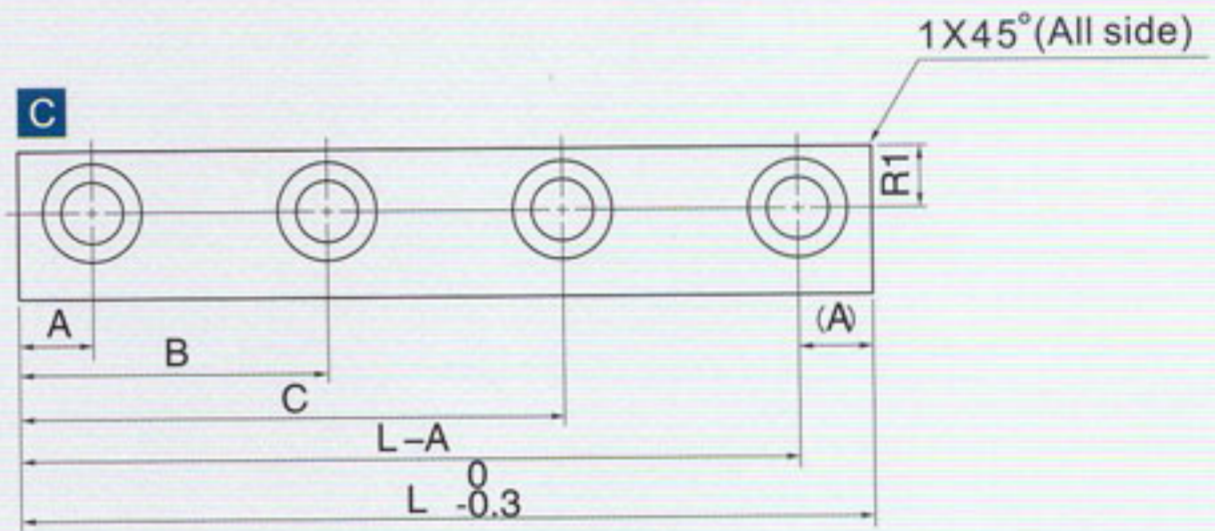
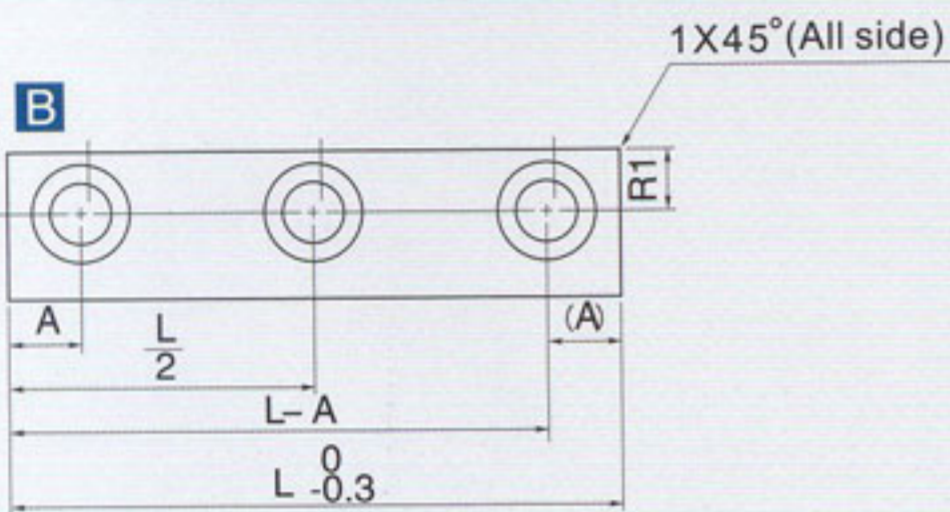
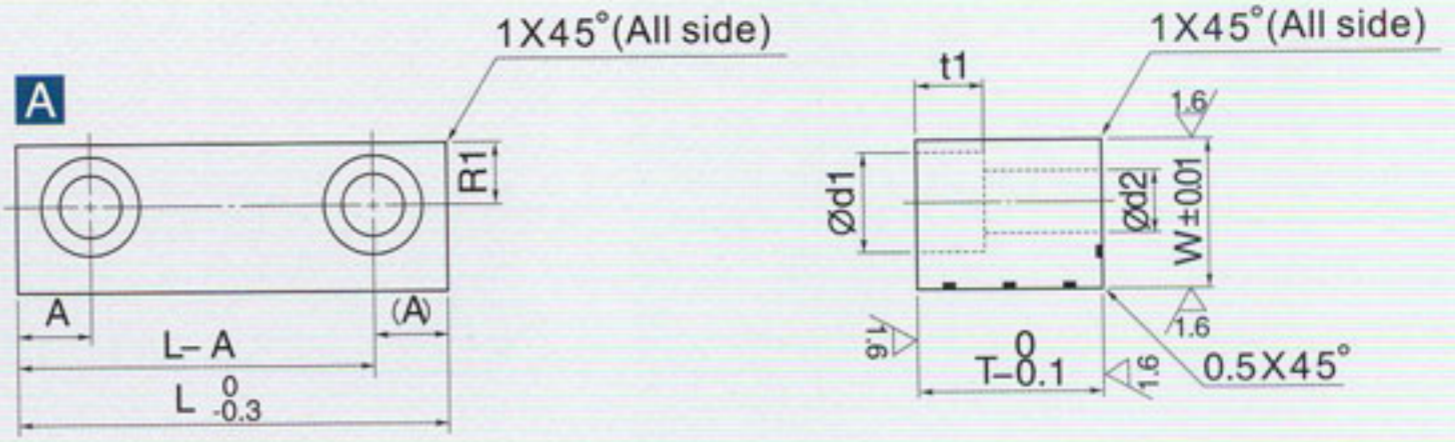
订货方法: PURCHASE NO:	型号 TYPE JSP-1	WXLXT 12.5×40×15	识别码 MARK GB
-----------------------	------------------	---------------------	----------------



型号 TYPE	W	L	T	尺寸图 SKETCH	A	B	C	d1	d2	t1	w1	s	u	识别码 MARK
JSP-1	12.5	40	12.5	A	7.5	-	-	8	4.5	5	5	5	3.5	GC
		50, 60, 70	15	B		-	-							
		80	15 20	C		30	50							
		90				32.5	57.5							
		100				35	65							
	15	40, 50, 60	15 20 25	A B C	7.5	-	-	9.5	5.5	6	6	5	3.5	
		70, 80, 90, 100, 110, 120				-	-							
		130				40	90							
		140				45	95							
		150				53	97							
	20	40, 50, 60, 70, 80, 90	15 20 25 30	A B C	10	-	-	9.5	5.5	6	6	5	3.5	
		100, 110, 120, 130, 140, 150				-	-							
		160				55	105							
		180				60	120							
		200				70	130							
	25	40, 50, 60, 70, 80, 90	20 25 30	A B C	10	-	-	11	6.5	7	9	5	3.5	
		100, 110, 120, 130, 140, 150				-	-							
		160				55	105							
		180				60	120							
		200				70	130							

*: T=15,20时的尺寸

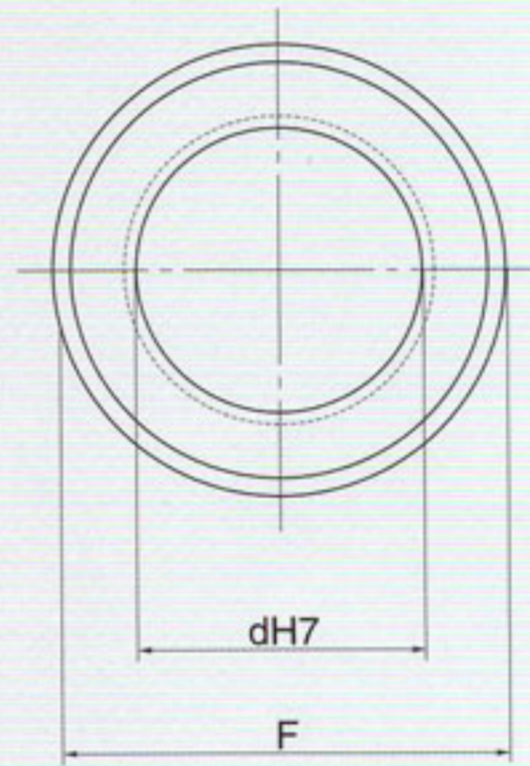
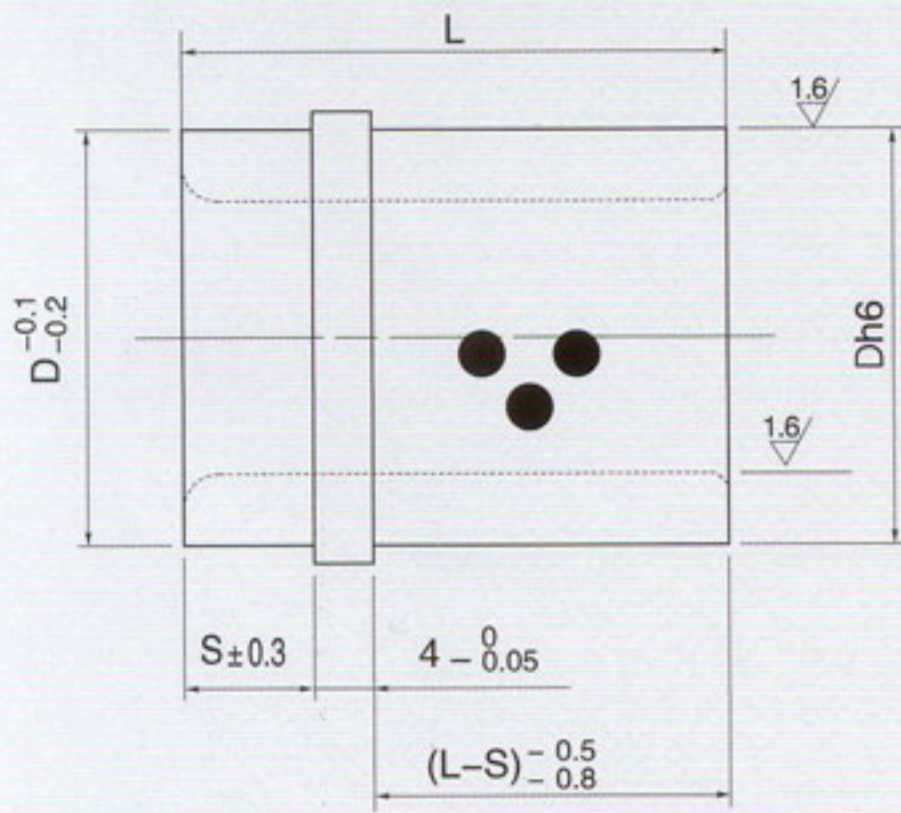
订货方法: PURCHASE NO:	型号 TYPE JSP-1	WXLXT 12.5×40×12.5	识别码 MARK GC
-----------------------	------------------	-----------------------	----------------



型号 TYPE	W	L	T	尺寸图 SKETCH	A	B	C	d1	d2	t1	R1	识别码 MARK
JSP-1	12.5	40	10 15 20	A	7.5	-	-	8	4.5	5	5	GE
		50, 60, 70		B		-	-					
		80		C		30	50					
		90				32.5	57.5					
		100				35	65					
	15	40, 50, 60	10 15 20 25	A	7.5	-	-	9.5	5.5	6	6	
		70, 80, 90, 100, 110, 120		B		-	-					
		130		C		40	90					
		140				45	95					
		150				53	97					
	20	40, 50, 60, 70, 80, 90	15 20 25 30	A	10	-	-	11 14*	6.5 9*	7 9*	9	
		100, 110, 120, 130, 140, 150		B		-	-					
		160		C		55	105					
		180				60	120					
		200				70	130					
	25	40, 50, 60, 70, 80, 90	20 25 30	A	10	-	-	14	9	9	10	
		100, 110		B		-	-					
		120, 130, 140, 150		C		55	105					
		160				60	120					
		180				70	130					
30	120, 140	30 35	B	12	-	-	17	11.5	11	11		
	160		C		60	120						
	180				70	130						
	200											

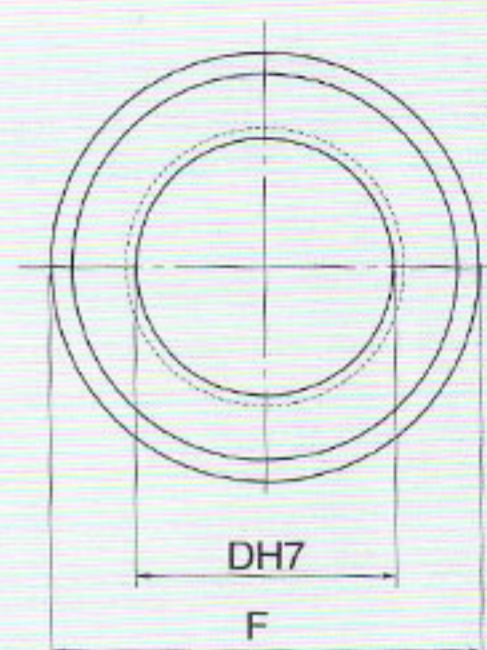
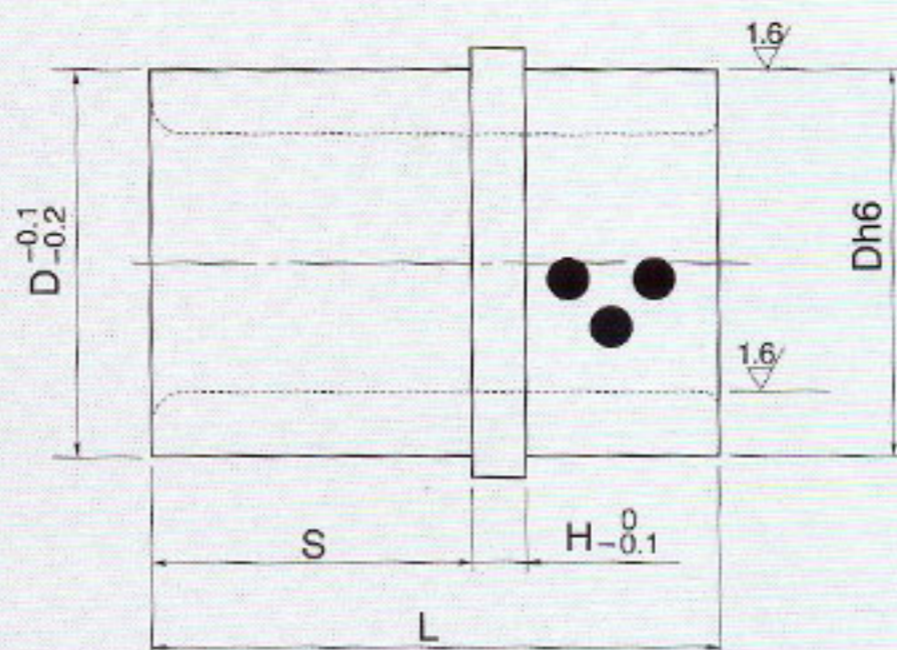
*: T=25,30时的尺寸

订货方法: PURCHASE NO:	型号 TYPE JSP-1	WXLXT 12.5×40×10	识别码 MARK GE
-----------------------	------------------	---------------------	----------------



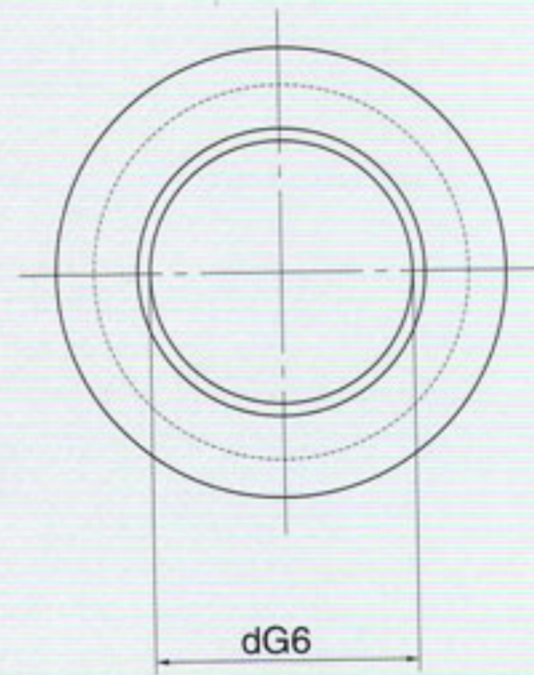
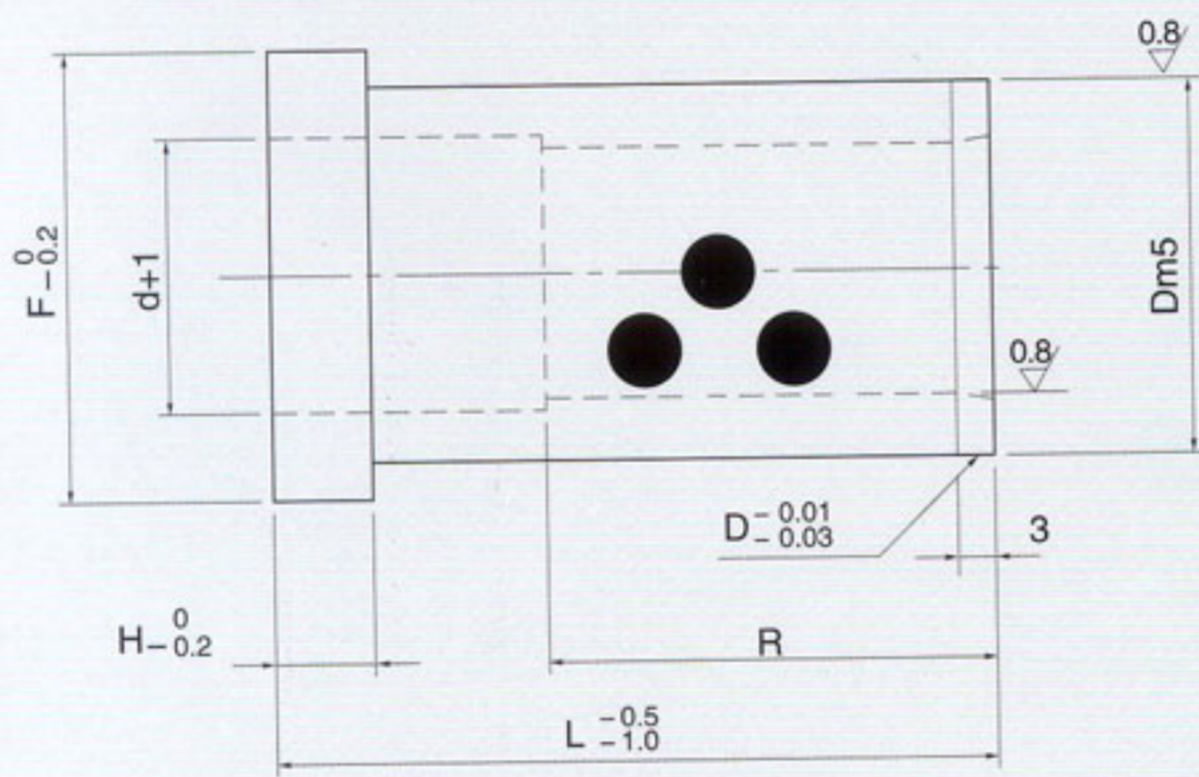
型号 TYPE	F	Dh6	dH7	L	S	识别码 MARK	
JFB-1	25	22	0 -0.013	13	+0.018 0	24, 27, 29	10
	28	25		16		27, 29	10
						34	
	33	30	0 -0.016	20	+0.021 0	27, 29	10
						34	
	38	35		25		29	10
						34, 39	
	43	40	0 -0.019	30	+0.025 0	34, 39, 44	15
	48	45		35		44, 49	20
				44, 49, 54		20	
	55	52	40			49, 54	20
	65	62	50				

订货方法: PURCHASE NO:	型号 TYPE JFB-1	F/DXdXL/4 25/22 x 13 x 24/4	识别码 MARK TF
-----------------------	------------------	--------------------------------	----------------



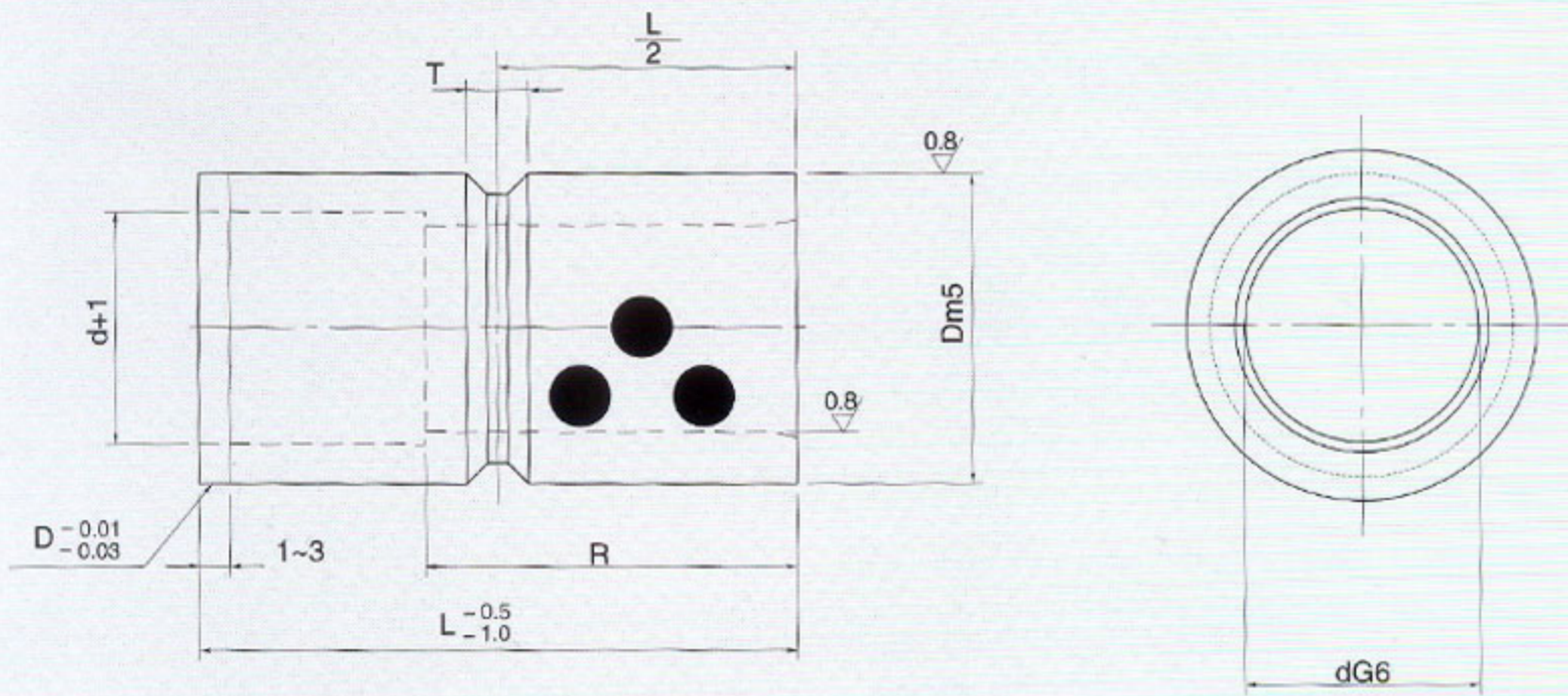
型号 TYPE	F	Dh6		dH7		L	H	S	识别码 MARK
JFB-1	25	22	0 -0.013	13	+0.018 0	25	4	14	TG
	28	25		16		25		19	
	33	30		20		25		14	
				33		38		19	
			43	43	24				
			25	14					
	38	35	0 -0.016	25	+0.021 0	33		19	
						38		24	
						43, 53	24		
						33	19		
	43	40	0 -0.016	30	+0.021 0	38	24		
						43	24		
						53	29		
						38	24		
	48	45	0 -0.016	35	+0.021 0	43	24		
						53	29		
68						39			
43						24			
61	55	0 -0.019	40	+0.025 0	53	29			
					68	39			
					53	29			
					68	39			
71	65	0 -0.019	50	+0.025 0	53	29			
					68	39			

订货方法: PURCHASE NO:	型号 TYPE JFB-1	F/DXdXL/H 25/22 x 13 x 25/4	识别码 MARK TG
-----------------------	------------------	--------------------------------	----------------



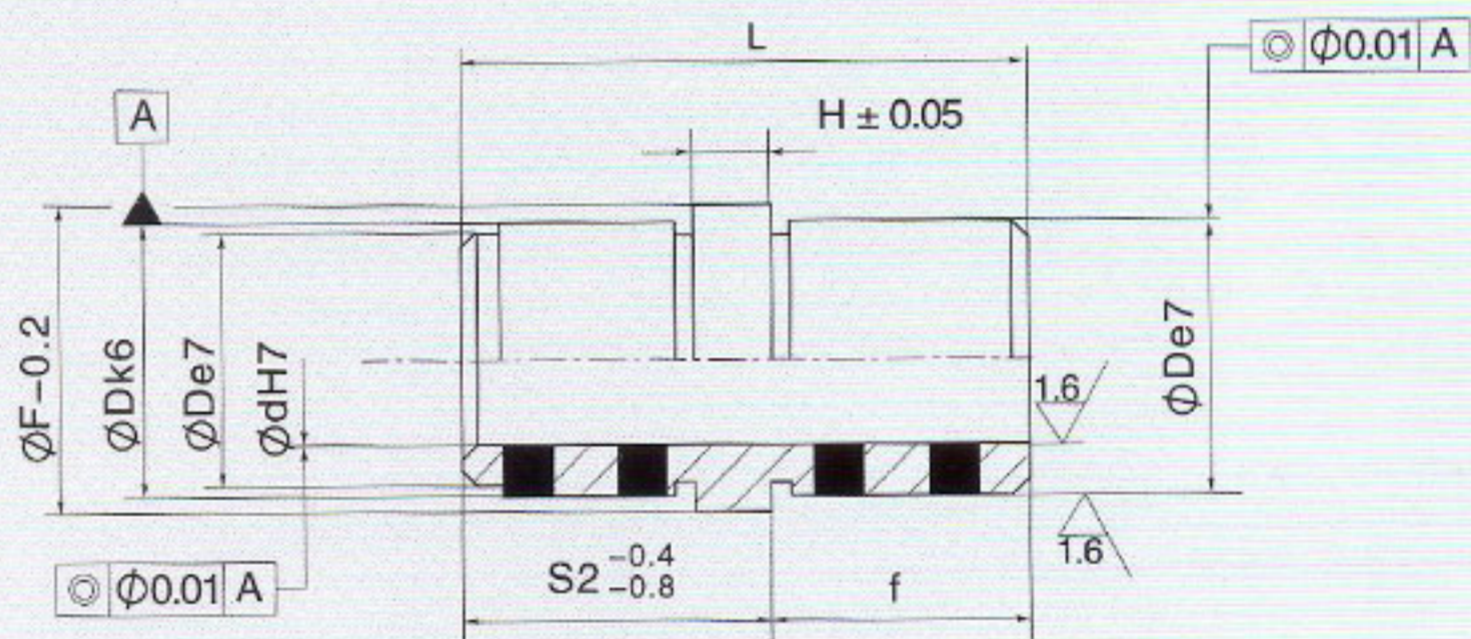
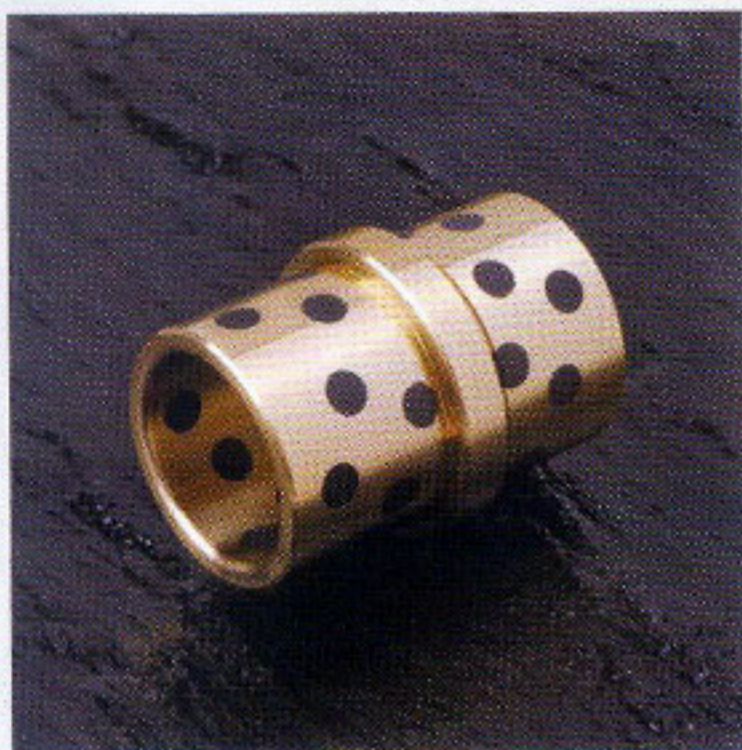
型号 TYPE	F	D _{m5}	d _{G6}		R															H	识别码 MARK					
					L15	L20	L25	L30	L35	L40	L50	L60	L70	L80	L90	L100	L110	L120	L130			L150				
JFB-1	14	12	+ 0.015 + 0.007	8	+ 0.014	-	15	15	-	-	-	-	-	-	-	-	-	-	-	-	-	-	5	TC		
	16	14		10	+ 0.005	15	20	20	20	20	20	-	-	-	-	-	-	-	-	-	-	-	-		6	
	22	18	+ 0.017 + 0.006	12	+ 0.006	15	20	25	-	-	-	-	-	-	-	-	-	-	-	-	-	-	-		8	
	25	20		13	+ 0.006	15	20	25	25	25	25	25	-	-	-	-	-	-	-	-	-	-	-		10	
	30	25	+ 0.017 + 0.008	16	+ 0.007	15	20	25	30	35	30	30	-	-	-	-	-	-	-	-	-	-	-		12	
	35	30		20	+ 0.007	-	20	25	30	35	40	40	40	40	40	40	40	40	40	40	40	40	40		12	
	40	35	+ 0.020 + 0.009	25	+ 0.009	-	20	25	30	35	40	50	50	50	50	50	50	50	50	50	50	50	50		50	10
	47	42		30	+ 0.009	-	-	25	30	35	40	50	60	60	60	60	60	60	60	60	60	60	60		60	12
	54	48	+ 0.024 + 0.011	35	+ 0.009	-	-	-	-	-	40	50	60	70	70	70	70	70	70	70	70	70	70		70	10
	60	55		40	+ 0.009	-	-	-	-	-	40	50	60	70	80	-	80	-	80	80	80	80	80		80	12
	75	70	+ 0.024 + 0.011	50	+ 0.009	-	-	-	-	-	-	-	60	70	80	-	100	-	100	100	100	100	100		100	12
	86	80		60	+ 0.010	-	-	-	-	-	-	-	-	-	80	-	100	-	120	-	120	120	120		120	120

订货方法: PURCHASE NO:	型号 TYPE JFB-1	F/DXdXL/H 14/12×8×15/5	识别码 MARK TC
-----------------------	------------------	---------------------------	----------------



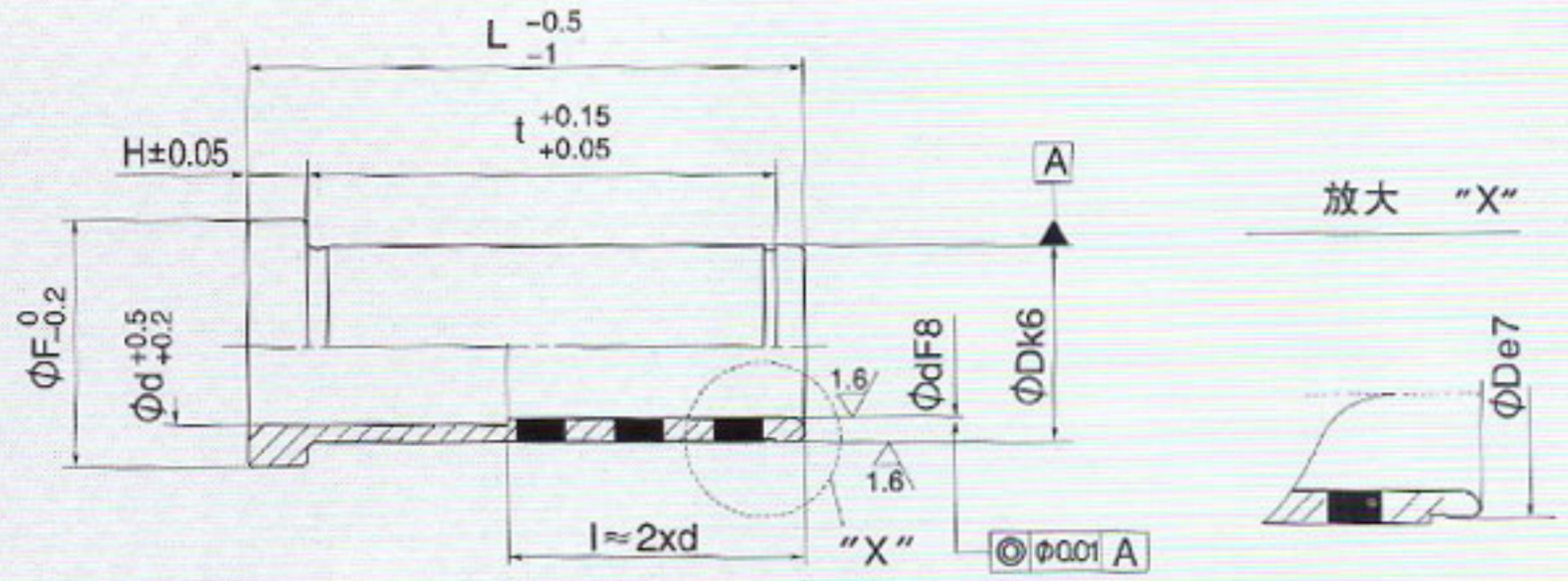
型号 TYPE	$Dm5$	$dg6$		R												T	识别码 MARK		
				L10	L15	L20	L25	L30	L35	L40	L50	L60	L70	L80	L100			L120	
JDB-1	12	+ 0.015 + 0.007	8	+ 0.014	10	15	-	-	-	-	-	-	-	-	-	-	-	6 L=10 时 T=4	TD
	14		10	+ 0.005	10	15	20	-	-	-	-	-	-	-	-	-	-		
	18		12	+ 0.017 + 0.006	10	15	20	25	-	-	-	-	-	-	-	-	-		
	20	13	15		20	25	25	-	-	-	-	-	-	-	-	-	-		
	25	16	15		20	25	30	35	-	-	-	-	-	-	-	-	-		
	30	20	+ 0.020 + 0.007	15	20	25	30	35	40	40	-	-	-	-	-	-	-		
	35	25		15	20	25	30	35	40	50	-	-	-	-	-	-	-		
	42	30		-	20	25	30	35	40	50	60	60	-	-	-	-	-		
	48	35	+ 0.025 + 0.009	25	30	35	40	50	60	70	-	-	-	-	-	-	-	8 L=15 时 T=6	
	55	40		-	-	25	30	35	40	50	60	70	80	-	-	-			
	70	50		-	-	-	-	-	40	50	60	70	80	100	-	-			
	80	60	+ 0.029 + 0.010	-	-	-	-	-	-	50	60	-	80	100	120	-			

订货方法: PURCHASE NO:	型号 TYPE JDB-1	DXdXL 12×8×10	识别码 MARK TD
-----------------------	------------------	------------------	----------------



型号 TYPE	F	D	d	L	H	f	S2	识别码 MARK
JFB-1	25	20	14	26	6	9	17	TH
	25	20	15	26	6	9	17	
	31	26	18	39	6	17	22	
	31	26	20	39	6	17	22	
	35	30	22	49	6	22	27	
	35	30	24	49	6	22	27	
	47	42	30	63	6	27	36	
	47	42	32	63	6	27	36	

订货方法: PURCHASE NO:	型号 TYPE JFB-1	F/DXdXL/H 25/20 x 14 x 26/6	识别码 MARK TH
-----------------------	------------------	--------------------------------	----------------

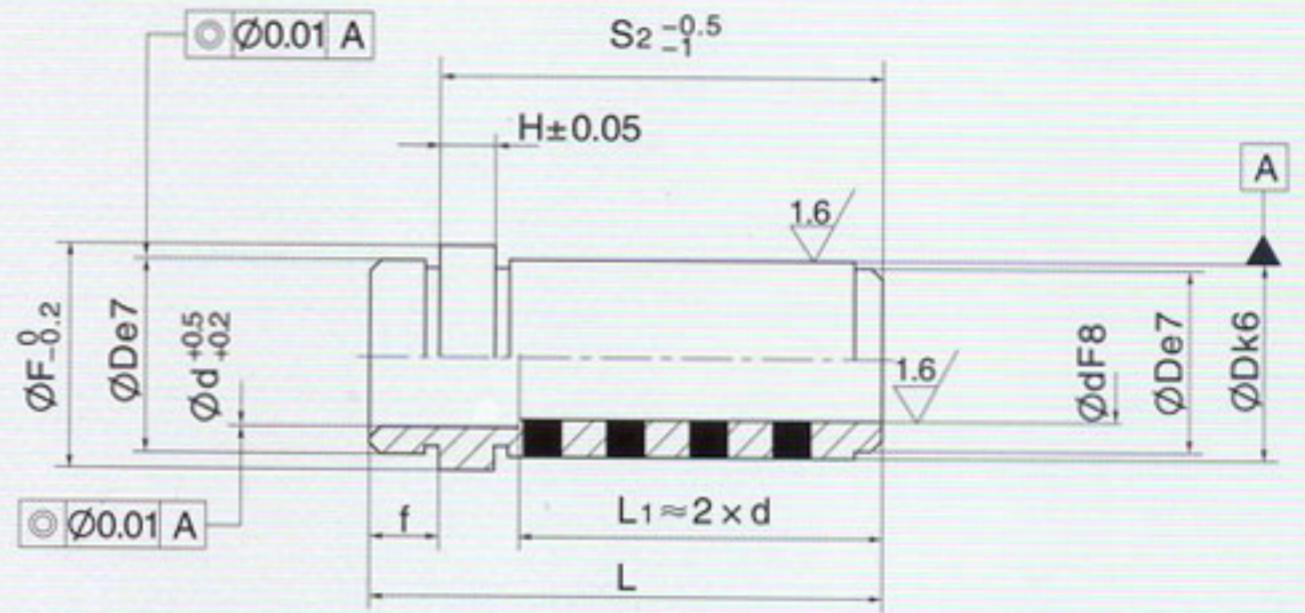


型号 TYPE	F	D	d	L	H	t	识别码 MARK
JFB-1	16	14	9	12	3	6.6	TE
	16	14	9	17	3	11.6	
	16	14	9	22	3	16.6	
	16	14	9	27	3	21.6	
	16	14	9	36	3	30.6	
	16	14	9	46	3	40.6	
	16	14	9	56	3	50.6	
	16	14	10	12	3	6.6	
	16	14	10	17	3	11.6	
	16	14	10	22	3	16.6	
	16	14	10	27	3	21.6	
	16	14	10	36	3	30.6	
	16	14	10	46	3	40.6	
	16	14	10	56	3	50.6	
	23	18	12	17	6	8.3	
	23	18	12	22	6	13.3	
	23	18	12	27	6	18.3	
	23	18	12	36	6	27.3	
	23	18	12	46	6	37.3	
	23	18	12	56	6	47.3	
	25	20	14	17	6	8.3	
	25	20	14	22	6	13.3	
	25	20	14	27	6	18.3	
	25	20	14	36	6	27.3	
	25	20	14	46	6	37.3	
	25	20	14	56	6	47.3	
	25	20	15	17	6	8.3	
	25	20	15	22	6	13.3	
	25	20	15	27	6	18.3	
	25	20	15	36	6	27.3	
	25	20	15	46	6	37.3	
	25	20	15	56	6	47.3	
27	22	16	22	6	13.3		
27	22	16	27	6	18.3		
27	22	16	36	6	27.3		
27	22	16	46	6	37.3		
27	22	16	56	6	47.3		
31	26	18	17	6	8.3		
31	26	18	22	6	13.3		
31	26	18	27	6	18.3		
31	26	18	36	6	27.3		
31	26	18	46	6	37.3		

订货方法: PURCHASE NO:	型号 TYPE JFB-1	F/DXdXL/H 16/14×9×12/3	识别码 MARK TE
-----------------------	------------------	---------------------------	----------------

型号 TYPE	F	D	d	L	H	t	识别码 MARK
JFB-1	31	26	18	56	6	47.3	TE
	31	26	18	66	6	57.3	
	31	26	18	76	6	67.3	
	31	26	20	17	6	8.3	
	31	26	20	22	6	13.3	
	31	26	20	27	6	18.3	
	31	26	20	36	6	27.3	
	31	26	20	46	6	37.3	
	31	26	20	56	6	47.3	
	31	26	20	66	6	57.3	
	31	26	20	76	6	67.3	
	35	30	22	22	6	12.6	
	35	30	22	27	6	17.6	
	35	30	22	36	6	26.6	
	35	30	22	46	6	36.6	
	35	30	22	56	6	46.6	
	35	30	22	66	6	56.6	
	35	30	22	76	6	66.6	
	35	30	22	86	6	76.6	
	35	30	22	96	6	86.6	
	35	30	24	22	6	12.6	
	35	30	24	27	6	17.6	
	35	30	24	36	6	26.6	
	35	30	24	46	6	36.6	
	35	30	24	56	6	46.6	
	35	30	24	66	6	56.6	
	35	30	24	76	6	66.6	
	35	30	24	86	6	76.6	
	35	30	24	96	6	86.6	
	47	42	30	27	6	15.9	
	47	42	30	36	6	24.9	
	47	42	30	46	6	34.9	
	47	42	30	56	6	44.9	
	47	42	30	66	6	54.9	
	47	42	30	76	6	64.9	
	47	42	30	86	6	74.9	
	47	42	30	96	6	84.9	
	47	42	30	116	6	104.9	
	47	42	32	27	6	15.9	
	47	42	32	36	6	24.9	
	47	42	32	46	6	34.9	
	47	42	32	56	6	44.9	
	47	42	32	66	6	54.9	
	47	42	32	76	6	64.9	
	47	42	32	86	6	74.9	
	47	42	32	96	6	84.9	
	47	42	32	116	6	104.9	
	60	54	40	46	10	30.2	
	60	54	40	56	10	40.2	
	60	54	40	66	10	50.2	
60	54	40	76	10	60.2		
60	54	40	86	10	70.2		
60	54	40	96	10	80.2		
60	54	40	116	10	100.2		
60	54	40	136	10	120.2		
60	54	42	46	10	30.2		
60	54	42	56	10	40.2		
60	54	42	66	10	50.2		
60	54	42	76	10	60.2		
60	54	42	86	10	70.2		
60	54	42	96	10	80.2		
60	54	42	116	10	100.2		
60	54	42	136	10	120.2		

订货方法: PURCHASE NO:	型号 TYPE JFB-1	F/DXdXL/H 16/14×9×12/3	识别码 MARK TE
-----------------------	------------------	---------------------------	----------------



型号 TYPE	F	D	d	L	H	S2	f	识别码 MARK
JFB-1	16	14	9	17	3	12	5	TJ
	16	14	9	22	3	17	5	
	16	14	9	27	3	22	5	
	16	14	9	32	3	27	5	
	16	14	9	41	3	36	5	
	16	14	9	51	3	46	5	
	16	14	9	61	3	56	5	
	16	14	10	17	3	12	5	
	16	14	10	22	3	17	5	
	16	14	10	27	3	22	5	
	16	14	10	32	3	27	5	
	16	14	10	41	3	36	5	
	16	14	10	51	3	46	5	
	16	14	10	61	3	56	5	
	25	20	14	23	6	17	6	
	25	20	14	28	6	22	6	
	25	20	14	33	6	27	6	
	25	20	14	42	6	36	6	
	25	20	14	52	6	46	6	
	25	20	14	62	6	56	6	
	25	20	14	72	6	66	6	
	25	20	14	82	6	76	6	
	25	20	15	23	6	17	6	
	25	20	15	28	6	22	6	
	25	20	15	33	6	27	6	
	25	20	15	42	6	36	6	
	25	20	15	52	6	46	6	
	25	20	15	62	6	56	6	
	25	20	15	72	6	66	6	
	25	20	15	82	6	76	6	
	31	26	18	25	6	17	8	
	31	26	18	30	6	22	8	
31	26	18	35	6	27	8		
31	26	18	44	6	36	8		
31	26	18	54	6	46	8		
31	26	18	64	6	56	8		
31	26	18	74	6	66	8		
31	26	18	84	6	76	8		
31	26	20	25	6	17	8		

订货方法: PURCHASE NO:	型号 TYPE JFB-1	F/DXdXL/H 16/14x9x17/3	识别码 MARK TJ
-----------------------	------------------	---------------------------	----------------

型号 TYPE	F	D	d	L	H	S2	f	识别码 MARK
	31	26	20	30	6	22	8	
	31	26	20	35	6	27	8	
	31	26	20	44	6	36	8	
	31	26	20	54	6	46	8	
	31	26	20	64	6	56	8	
	31	26	20	74	6	66	8	
	31	26	20	84	6	76	8	
	35	30	22	30	6	22	8	
	35	30	22	35	6	27	8	
	35	30	22	44	6	36	8	
	35	30	22	54	6	46	8	
	35	30	22	64	6	56	8	
	35	30	22	74	6	66	8	
	35	30	22	84	6	76	8	
	35	30	22	94	6	86	8	
	35	30	22	104	6	96	8	
	35	30	22	124	6	116	8	
	35	30	24	30	6	22	8	
	35	30	24	35	6	27	8	
	35	30	24	44	6	36	8	
	35	30	24	54	6	46	8	
	35	30	24	64	6	56	8	
	35	30	24	74	6	66	8	
	35	30	24	84	6	76	8	
	35	30	24	94	6	86	8	
	35	30	24	104	6	96	8	
	35	30	24	124	6	116	8	
	47	42	30	35	6	27	8	
	47	42	30	44	6	36	8	
	47	42	30	54	6	46	8	
	47	42	30	64	6	56	8	
	47	42	30	74	6	66	8	
	47	42	30	84	6	76	8	
	47	42	30	94	6	86	8	
	47	42	30	104	6	96	8	
	47	42	30	124	6	116	8	
	47	42	30	144	6	136	8	
	47	42	32	35	6	27	8	
	47	42	32	44	6	36	8	
	47	42	32	54	6	46	8	
	47	42	32	64	6	56	8	
	47	42	32	74	6	66	8	
	47	42	32	84	6	76	8	
	47	42	32	94	6	86	8	
	47	42	32	104	6	96	8	
	47	42	32	124	6	116	8	
	47	42	32	144	6	136	8	
	60	54	40	56	10	46	10	
	60	54	40	66	10	56	10	
	60	54	40	76	10	66	10	
	60	54	40	86	10	76	10	
	60	54	40	96	10	86	10	
	60	54	40	106	10	96	10	
	60	54	40	126	10	116	10	
	60	54	40	146	10	136	10	
	60	54	40	166	10	156	10	
	60	54	40	206	10	196	10	
	60	54	42	56	10	46	10	
	60	54	42	66	10	56	10	
	60	54	42	76	10	66	10	
	60	54	42	86	10	76	10	
	60	54	42	96	10	86	10	
	60	54	42	106	10	96	10	
	60	54	42	126	10	116	10	
	60	54	42	146	10	136	10	
	60	54	42	166	10	156	10	
	60	54	42	206	10	196	10	

JFB-1

TJ

订货方法: PURCHASE NO:	型号 TYPE JFB-1	F/DXdXL/H 16/14×9×17/3	识别码 MARK TJ
-----------------------	------------------	---------------------------	----------------

尺寸检验方法

INSPECTION METHOD



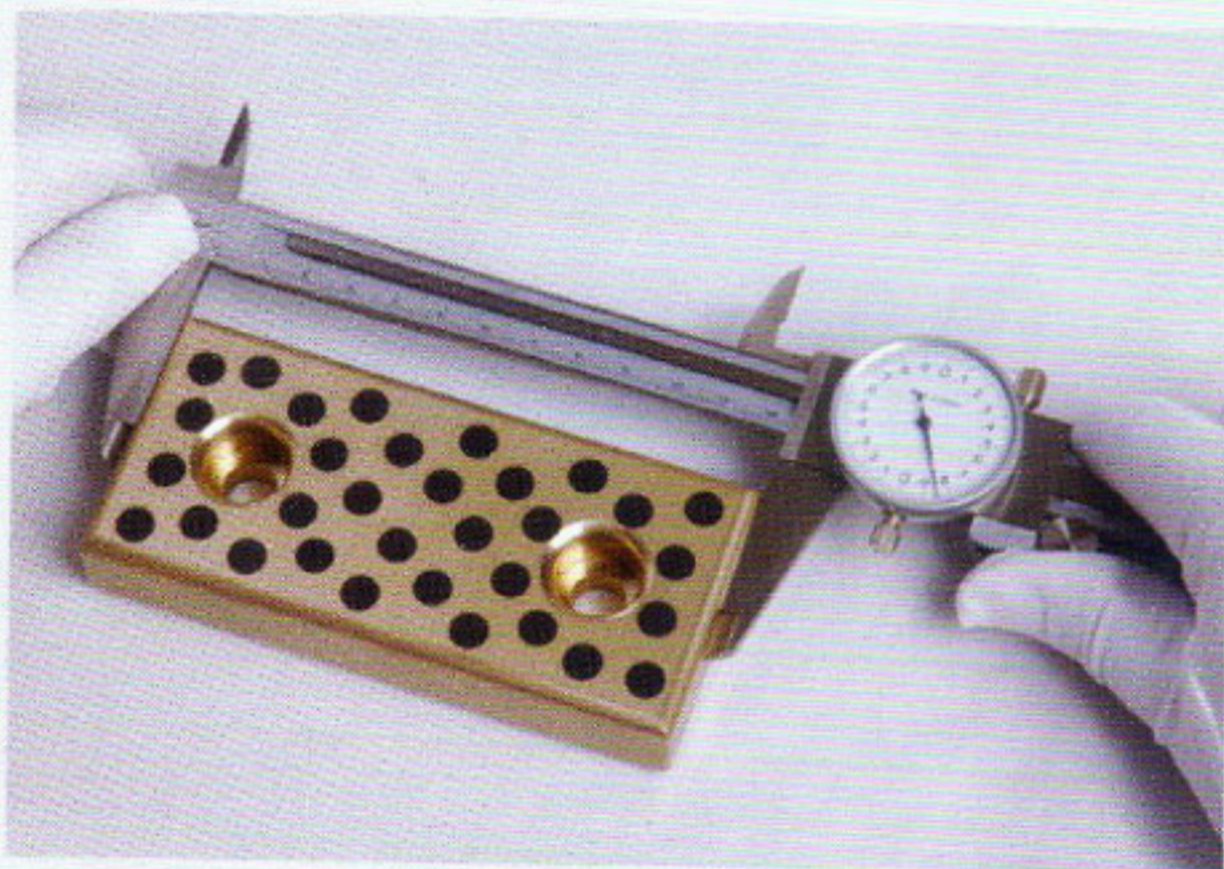
外径千分尺检测外径
Check OD by OD micrometer



内径数显千分尺检测内径
Check ID by ID micrometer



壁厚数显千分尺检测厚度
Check thickness by micrometer



游标卡尺检测长和宽
Check length and width by micrometer

化学成份与机械性能

CHEMICAL&MECHANICAL PROPERTIES

性能 Property	型号 Type	JDB-1 JFB-1 JSP-1	JDB-4 JFB-4 JSP-4	JFB-5C JDB-5C JSP-5C
基体材料牌号 Material	GB	CuZn25Al6Fe3Mn3	HT250	45#
	JIS	HBSC4 CAC304	FC250	S45C
	ASTM或AISI	ASTM C86300	AISI CLASS40	AISI 1045
	DIN	CuZn25Al5	GG25	CK45
化学成分 Chemical Components (%)	Cu	60~66	-	-
	Al	4.5~7	-	-
	Mn	1.5~4	0.4~1.2	0.5~0.8
	Fe	2~4	余量 Remains	余量 Remains
	Zn	余量 Remains	-	-
	C	-	2.7~3.6	0.42~0.50
	Si	-	1~2.5	0.17~0.37
	其它 Other	-	-	-
RoHS	符合 OK	符合 OK	符合 OK	
密度(g/cm ³) Density	8.2	7.3	7.85	
硬度(g/cm ²) Hardness	HB>210	HB>190	HRC>45	
抗拉强度(N/mm ²)	>600	>250	>700	
延伸率(%)	>13	-	>17	
承载力(N/mm ²) Max.load	100	60	30	
使用温度℃ Temperature	-40~+300	-40~+400	-40~+400	

